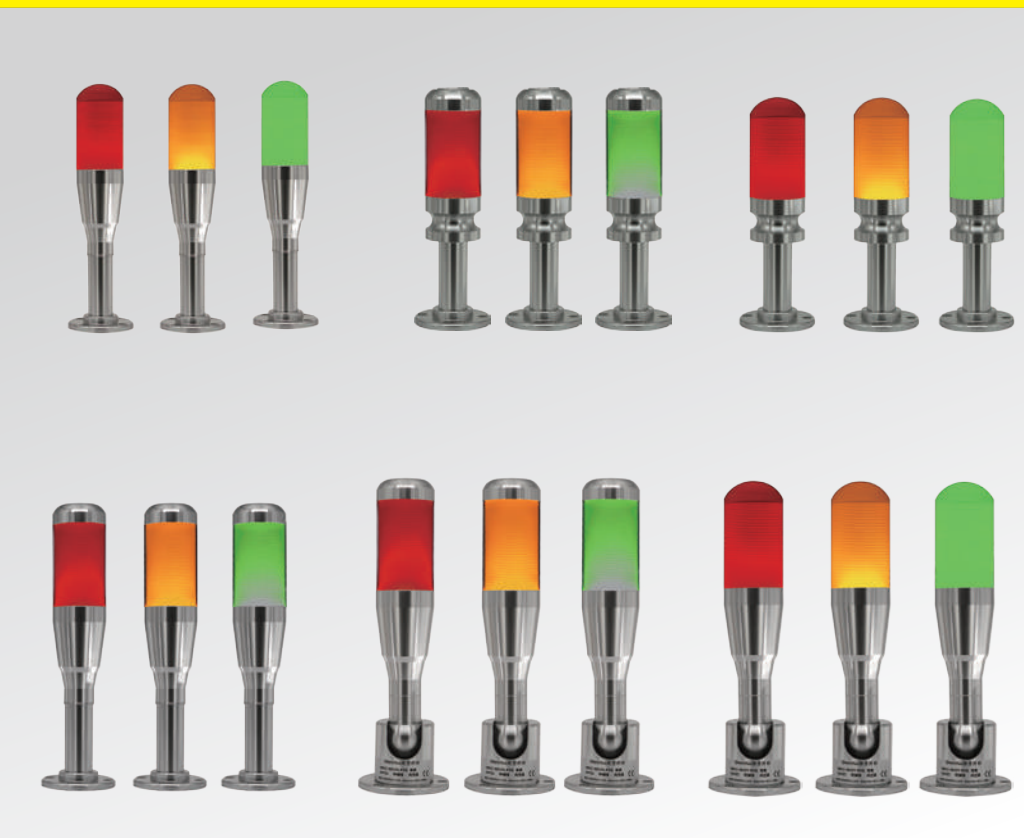


广州市欧登照明科技有限公司
Otennlux Lighting Technology Co.,LTD

 Otennlux®
Engineer LED Light



2018
工业照明灯与智能报警灯

公司简介

广州市欧登照明科技有限公司成立于2008年，位于广州市南站区域，是一家专业从事LED工作灯、警示灯、工厂照明灯与户外照明灯的集设计、研发、生产、销售及服务于一体的高新技术企业，公司具备独立自主的设计研发能力，拥有一支高素质的研发技术团队，所有产品均采用品牌光源，电路结构采用世界先进的电源管理方案，并取得权威机构的CE、EX、FC、ROHS认证。现能充分满足客户的各方面需求，并致力于提供系统的照明产品和解决方案，通过对灯具、光源和电器的科学匹配与设计，以提高光效、降低能耗、延长使用寿命。为客户提供优质的产品和服务的同时，公司坚持不懈地追求产品的环保和高品质。

公司产品设计易于生产，参数调整灵活可靠，有利于提高生产效率，降低产品成本，也能满足客户各种参数要求并缩短中小量订单交期。每一个产品从技术研究、设计、试做、验证、质量检测，到选料、试产、量产等均有一套严谨的标准管控程序与规范。每批产品在出厂前100%经过4~24小时的老化测试。本公司产品具有防水、防油、防爆功能，选料采用工业级标准，防水等级达到IP67，并具有优良的散热性能，使产品能在各种恶劣的室外环境（-30°C~+80°C）下长期稳定可靠的工作。

公司产品主要用于机床、设备、加工中心、电柜、生产流水线、仓库、机车、检验、航空航天、船舶、化工、医疗等工业照明领域，为工业行业提供高效节能、健康舒适的人工照明环境，已畅销全国20多个省市，同时远销欧洲、美国、日本及东南亚等国家和地区。通过对产品的广泛使用，“Otennlux”牌LED工作灯获得了行内沈阳一机、大连丰工、北京凝华、天津天锻、山东永华、山东新安凯、宁夏巨能、陕西秦川、江苏扬力、苏州三光、上海永准、上海凯伯、上海重工、上海汽车、湖南三一、广东泰科、广铁、深圳创世纪、东莞乔峰、东莞润星、东莞巨岗、东莞巨高、中国中车、浙江嘉力宝、成都成飞、江南造船厂在内的多家客户一致好评。

公司将建立多方面的合作关系，以敏锐的市场洞察力，捕捉行业前沿信息，不断开拓市场的深度和广度，实现“用效益追逐梦想，以质量占领市场，求人才开创未来，得品牌立信天下”的宏伟目标。

Company Profile

Located in GuangZhou south railway station area, GuangZhou Otennlux lighting Technology Co., Ltd. was established in 2008. It's a high tech company which specializing in LED working light, factory light, outdoor light and LED warning light. We dedicated ourselves to R&D, Production, and also after-sale service. With our skilled R&D team, our company is fully capable of independent product design and development. Our products include surface-mounted, tube light, Flexible-Head, Pivoting-Head LED, Arm-Mounted, Bracket Light, Magnifier, Multi-Functional Signal, and so on. Most of products got CE, EX, FC and RoHS certifications.

We are fully able to meet our customers' needs, producing designs according to their requirements and providing comprehensive support services and solutions. Our products can be made IP67, IP68 and IP69K level waterproof with excellent heat dissipation qualities and can be adapted to work reliably in harsh environments (-30 to 80 degrees Celsius). Each product batch is burned in at 100% of maximum load temperature for 4 to 24 hours before shipping. Each product has a set of strict control procedures and norms derived from extensive technical research and testing.

Our products are mainly used in machine, equipment, CNC, and other projects. Through their widespread use, we have earned a reputation for quality exported to Europe, the United States, Japan and southeast Asia.

The company aims to grow its business relationships, with keen market insight, acquiring cutting-edge information in order to be receptive to the needs of the market. We strive to capture the market with a quality product, create a future that encourages talent while always acting with the utmost corporate honesty and integrity.

欧登理念 Otennlux Philosophy

欧登精神

广州欧登照明只为做中国最好的工业照明企业而存在，我们的目标是全球工业照明的领导者，为此欧登照明将竭尽全力。

品牌理念

以专业、专注的精神，为客户创造优美、舒适、安全、节能的光环境，为客户提供最优的照明应用解决方案，并以己之力，推动照明产业健康、快速的向前发展。

营销理念

以目标客户（世界级客户）为中心，建立品牌，整合公司资源，领导营销。

服务理念

客户的满意是我们的标准，满意直到感动客户。

市场理念

相对于欧登照明来说，市场几乎无穷大，关键是我们自己的能力。客户的意见是对公司最大的帮助。

质量理念

追求零缺陷，完美，没有极限。

Otennlux Light Spirit

Otenn lighting exist only for the best industry light in China. We'll spare no effort to realize our goal-To be the leader among global industry light.

Brand Philosophy

The professional, dedicated team of Otenn lighting creates a beautiful, comfortable, safe and energy-saving light environment for customers. Besides providing optimal lighting application solutions, Otenn lighting also helps promote the healthy and rapid growth of the lighting industry.

Sales Philosophy

Otenn lighting is always at the service of our target clients and all of her resources are integrated to build up a brand and maintain the leadership in marketing.

Service Philosophy

Our standards are customers' satisfactions? satisfied from inner heart.

Market Philosophy

There is an infinite market for Otenn lighting, the key is our ability; customers' advises are always the most valuable thing to us.

Quality Philosophy

Otenn lighting pursues zero defect and perfection. Quality is not only made out, but also designed out.

证书 Certifications





永准机械(上海)有限公司



注：顺序不涉及排名先后

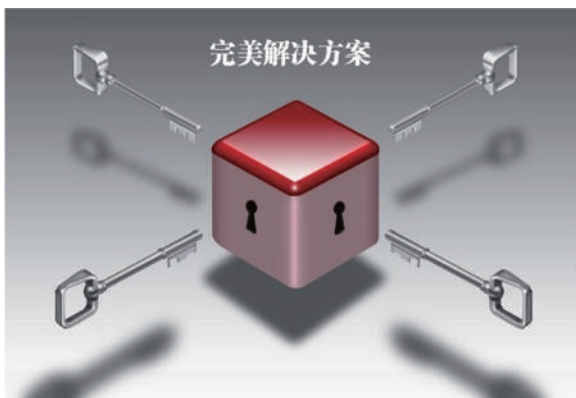
概念发展 CONCEPT DEVELOPMENT



咨询 CONSULTING



个性化方案 INDIVIDUAL SOLUTIONS



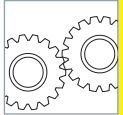
代工/贴牌 OEM/ODM



OTENNLUX AS A PRARNER

OTENNLUX offers "customized lighting" based on the task and the environment. As an "Engineer LED light", OTENNLUX has for many years represented premium quality craftsmanship and engineering.

OTENNLUX. The confidence to the best partner.



MACHINE/AUTOMATIC/ROBBOT 机械/设备/自动化/机器人

- 管状防爆LED灯 Tube LED Light
- 鹅颈式LED灯 Flexible-Tube LED Light
- 扁平式LED灯 Flat LED Light
- LED多功能警示灯 LED Multi-Functional Signal Light
- ESLED灯 ESLED Light
- 基座LED灯 Pivoting-Head LED Light
- 臂式LED灯 Arm-Mounted LED Light



CABINET/WAREHOUSE 电柜/冷柜/仓库

- 管状防爆LED灯 Tube LED Light
- FSLED灯 FSLED Light
- LED多功能警示灯 LED Multi-Functional Signal Light



R&D AND INSPECTION 实验与检测室

- 管状防爆LED灯 Tube LED Light
- 鹅颈式LED灯 Flexible-Tube LED Light
- LED工作台灯 LED Working Table Light
- 放大镜灯 Magnifier LED Light
- LED多功能警示灯 LED Multi-Functional Signal Light



RAIL TRANSIT 轨道交通

- 管状防爆LED灯 Tube LED Light
- 扁平式LED灯 Flat LED Light
- ESLED灯 ESLED Light
- FSLED灯 FSLED Light
- LED多功能警示灯 LED Multi-Functional Signal Light



WORKSHOP 车间

- 管状防爆LED灯 Tube LED Light
- ESLED灯 ESLED Light
- 扁平式LED灯 Flat LED Light





AEROSPACE 航空航天

- 管状防爆LED灯 Tube LED Light
- 鹅颈式LED灯 Flexible-Tube LED Light
- 扁平式LED灯 Flat LED Light
- LED多功能警示灯 LED Multi-Functional Signal Light
- ESLED灯 ESLED Light
- 基座LED灯 Pivoting-Head LED Light



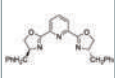
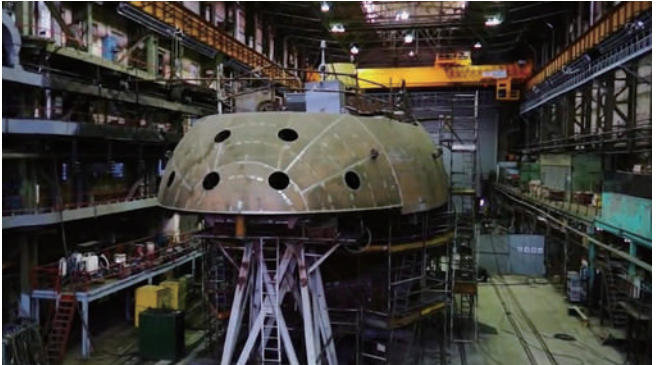
CAR 汽车

- 管状防爆LED灯 Tube LED Light
- FSLED灯 FSLED Light
- LED多功能警示灯 LED Multi-Functional Signal Light



SHIPPING 船舶

- 管状防爆LED灯 Tube LED Light
- LED多功能警示灯 LED Multi-Functional Signal Light
- 鹅颈式LED灯 Flexible-Tube LED Light
- LED多功能警示灯 LED Multi-Functional Signal Light



CHEMICAL 化工

- 管状防爆LED灯 Tube LED Light
- 扁平式LED灯 Flat LED Light
- ESLED灯 ESLED Light
- FSLED灯 FSLED Light
- LED多功能警示灯 LED Multi-Functional Signal Light



MEDICINE 医疗

- 管状防爆LED灯 Tube LED Light
- ESLED灯 ESLED Light
- 扁平式LED灯 Flat LED Light
- LED多功能警示灯 LED Multi-Functional Signal Light



IP67  

- CNC machine tools
- machining center
- cold storage
- distribution cabinet
- outdoor
- aerospace
- others

QLED机床工作灯 QLED machine working light

P_{01~02}

IP67  

- CNC machine tools
- rail transit
- cold storage
- distribution cabinet
- outdoor
- aerospace
- ship
- others

60系列LED机床工作灯 60 Series LED Machine Working Light

P₀₃

60LED-M系列工作灯 60LED-M Series Working Light

P₀₄

AL30工作灯 AL30 Working Light

P₀₅

AL60工作灯 AL60 Working Light

P₀₆

IP67  

- CNC machine tools
- machining center
- others

扁平式FLED灯 Flat LED Light

P₀₇

IP67   

- CNC machine tools
- freezer
- distribution cabinet
- aerospace
- ship
- others

BFLED工作灯 BFLED Working Light

P₀₈

IP65  

- CNC machine tools
- machining center
- assembly line
- others

SPOTLED工作灯 SPOTLED Working Light

P₀₉

SLED工作灯 SLED Working Light

P₁₀

IP65



- CNC machine tools
- machining center
- assembly line
- others

EMLED工作灯 EMLED Working Light

P_{11~12}

IP54



- cabinet
- rail transit
- car
- others

FSLED工作灯 FSLED Working Light

P₁₃

ESLED工作灯 ESLED Working Light

P₁₄

IP20



- designing
- drawing
- assemble line
- office
- drawing table
- others

放大镜LED灯 Magnifier LED Light

P₁₅

TLED工作台灯 TLED Working Table Light

P₁₆

IP20



- CNC machine tools
- machining center
- security equipment
- assembly line
- security system
- robot
- chemical
- aerospace
- medicine
- others

多功能警示灯 Multi-Functional Signal Light

OLB警示灯 OLB Signal Light

P₁₇

OLC警示灯 OLC Signal Light

P₁₈

OLA警示灯 OLA Signal Light

P_{19~20}

OBI警示灯 OBI Signal Light

P₂₁

OBO警示灯 OBO Signal Light

P₂₂

OBC警示灯 OBC Signal Light

P₂₃

OHI警示灯 OHI Signal Light

P₂₄

OHO警示灯 OHO Signal Light

P₂₅

MSL警示灯 MSL Signal Light

P₂₆



Otenlux®

Engineer LED Light



IP FC



管状防爆LED灯 Tube LED Light

QLED工作灯

Technical Parameters 技术参数			
Electronic Control Gear 电子控制器	Driver 驱动器	Class of Protection 保护等级	I or III
Luminaire of Protection 防护等级	IP67	Diameter of Tube 管径	Ø45mm

Features:

- *Good functions of Water proof,oil proof,anti-corrosion and anti-riot;
- *Uniform distribution of light,excellent color rendering and good lighting effects;
- *Easy installation and low maintenance;
- *The LED chips of light source are imported from USA,it has good performance of low power consumption,high efficiency and long life time;
- *The high quality of AC/DC LED driver with the good parameters of low power consumption ,protect circuit function and long life time;
- *The qualified aluminum with good dissipation,transparent and tempered glass;
- *The quality of waterproof connector,aluminum PCB,silicone rubber sealing ring and reflector/lens;
- *Color rendering index>80;
- *Ambient working temperature:-25°C~+55°C.

Application:

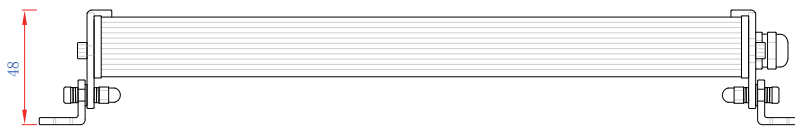
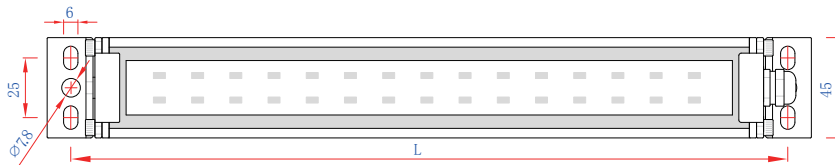
CNC machine tools,machine tool,machining center,cold storage,electrical cabinet,freezer,mine and other lighting.

特点:

- *防水、防油、防蚀与防爆功能；
- *光线分布均匀，显色性强，照明效果好；
- *安装简易、维修率低；
- *优质美国进口芯片LED光源、具有低功耗、高效能、寿命长；
- *交/直流高品质电子驱动器，具有低功耗、保护电路功能，寿命长；
- *散热性好的优质铝、透明钢化玻璃；
- *高品质防水接头、金属铝基板、硅橡胶密封圈、反光杯或透镜；
- *显色指数>80；
- *工作环境温度：-25°C~+55°C

应用场所:

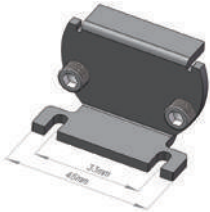
数控机床、组合机床、加工中心、电柜、冷库、矿井及其他照明。



管状防爆LED灯 Tube LED Light

QLED工作灯

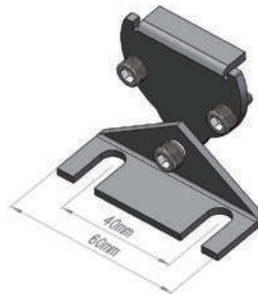
支架A



支架B



支架C



Versions:
QLED3

Model 型号	Input Voltage 输入电压	Power 功率	Color Temperature 色温	Installation Dimension 安装尺寸(L×W×CC)	Luminous Flux 光通量
QLED3-103-1	12~24V AC/DC	3W	6000K~6500K正白	115mm×45×25/40mm	300lm
QLED3-103-2	12~24V AC/DC	3W	4000K~4500K暖白	115mm×45×25/40mm	300lm
QLED3-103-3	85~265V AC 50/60Hz	3W	6000K~6500K正白	115mm×45×25/40mm	300lm
QLED3-103-4	85~265V AC 50/60Hz	3W	4000K~4500K暖白	115mm×45×25/40mm	300lm
QLED3-105-1	12~24V AC/DC	5W	6000K~6500K正白	215mm×45×25/40mm	500lm
QLED3-105-2	12~24V AC/DC	5W	4000K~4500K暖白	215mm×45×25/40mm	500lm
QLED3-105-3	85~265V AC 50/60Hz	5W	6000K~6500K正白	215mm×45×25/40mm	500lm
QLED3-105-4	85~265V AC 50/60Hz	5W	4000K~4500K暖白	215mm×45×25/40mm	500lm
QLED3-106-1	12~24V AC/DC	6W	6000K~6500K正白	300mm×45×25/40mm	600lm
QLED3-106-2	12~24V AC/DC	6W	4000K~4500K暖白	300mm×45×25/40mm	600lm
QLED3-106-3	85~265V AC 50/60Hz	6W	6000K~6500K正白	300mm×45×25/40mm	600lm
QLED3-106-4	85~265V AC 50/60Hz	6W	4000K~4500K暖白	300mm×45×25/40mm	600lm
QLED3-110-1	12~24V AC/DC	10W	6000K~6500K正白	300mm×45×25/40mm	1000lm
QLED3-110-2	12~24V AC/DC	10W	4000K~4500K暖白	300mm×45×25/40mm	1000lm
QLED3-110-3	85~265V AC 50/60Hz	10W	6000K~6500K正白	300mm×45×25/40mm	1000lm
QLED3-110-4	85~265V AC 50/60Hz	10W	4000K~4500K暖白	300mm×45×25/40mm	1000lm
QLED3-112-1	12~24V AC/DC	12W	6000K~6500K正白	415mm×45×25/40mm	1200lm
QLED3-112-2	12~24V AC/DC	12W	4000K~4500K暖白	415mm×45×25/40mm	1200lm
QLED3-112-3	85~265V AC 50/60Hz	12W	6000K~6500K正白	415mm×45×25/40mm	1200lm
QLED3-112-4	85~265V AC 50/60Hz	12W	4000K~4500K暖白	415mm×45×25/40mm	1200lm
QLED3-118-1	12~24V AC/DC	18W	6000K~6500K正白	595mm×45×25/40mm	1800lm
QLED3-118-2	12~24V AC/DC	18W	4000K~4500K暖白	595mm×45×25/40mm	1800lm
QLED3-118-3	85~265V AC 50/60Hz	18W	6000K~6500K正白	595mm×45×25/40mm	1800lm
QLED3-118-4	85~265V AC 50/60Hz	18W	4000K~4500K暖白	595mm×45×25/40mm	1800lm
QLED3-124-1	12~24V AC/DC	24W	6000K~6500K正白	785mm×45×25/40mm	2400lm
QLED3-124-2	12~24V AC/DC	24W	4000K~4500K暖白	785mm×45×25/40mm	2400lm
QLED3-124-3	85~265V AC 50/60Hz	24W	6000K~6500K正白	785mm×45×25/40mm	2400lm
QLED3-124-4	85~265V AC 50/60Hz	24W	4000K~4500K暖白	785mm×45×25/40mm	2400lm
QLED3-130-1	12~24V AC/DC	30W	6000K~6500K正白	1000mm×45×25/40mm	3000lm
QLED3-130-2	12~24V AC/DC	30W	4000K~4500K暖白	1000mm×45×25/40mm	3000lm
QLED3-130-3	85~265V AC 50/60Hz	30W	6000K~6500K正白	1000mm×45×25/40mm	3000lm
QLED3-130-4	85~265V AC 50/60Hz	30W	4000K~4500K暖白	1000mm×45×25/40mm	3000lm

Because of the content on this page is limited, please consult our detailed product specifications. 因幅面有限, 详尽产品规格请咨询我们。

管状防爆LED灯 Tube LED Light
60 系列

Technical Parameters 技术参数			
Electronic Control Gear 电子控制器	Driver 驱动器	Class of Protection 保护等级	I or III
Luminaire of Protection 防护等级	IP67	Diameter of Tube 管径	Ø60mm

Features:

- *Good functions of Water proof, oil proof, anti-corrosion and anti-riot;
- *Uniform distribution of light, excellent color rendering, good lighting effects and no glare;
- *Easy installation and low maintenance;
- *The qualified aluminum with good dissipation, transparent and tempered glass;
- *High quality of waterproof connector, aluminum PCB, silicone rubber sealing ring and reflector/lens;
- *Color rendering index > 80;
- *Diffusion plate: high light transmittance and good light diffusion effect, comfortable light environment for operator;
- *Ambient working temperature: -25°C ~ +55°C.

Application:

CNC machine tools, machine tool, machining center, cold storage, electrical cabinet, freezer, mine and other lighting.

特点:

- *防水、防油、防蚀与防爆功能；
- *光线分布均匀，显色性强，照明效果好，不刺眼；
- *安装简易、维修率低；
- *散热性好的优质铝、透明钢化玻璃；
- *高品质防水接头、金属铝基板、硅胶密封胶圈、反光杯或透镜；
- *显色指数 > 80；
- *扩散板：高透光率和良好的光扩散效果；防眩，使操作人员处于良好舒适的光环境下工作；
- *工作环境温度：-25°C ~ +55°C

应用场所:

数控机床、组合机床、加工中心、电柜、冷库、矿井及其他照明。

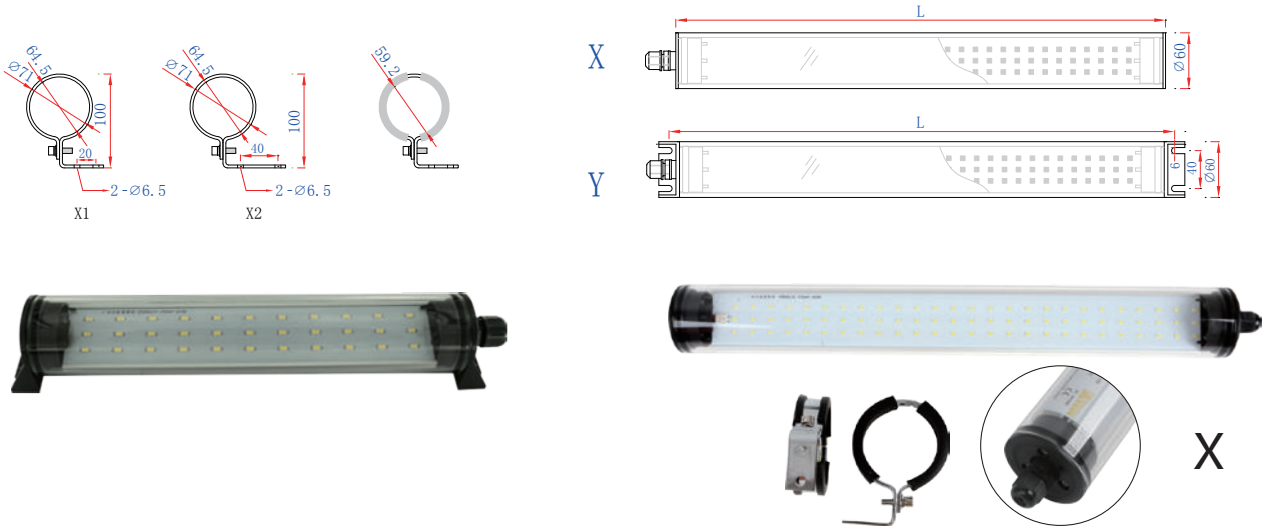

Versions:

Model 型号	Input Voltage 输入电压	Power 功率	Color Temperature 色温	Total Length 总长(L×D)	Luminous Flux 光通量	Side Cap 侧盖	Tube Type 管材
OL60-6-1	12~24V AC/DC	6W	6000K~6500K正白	220mm×60mm	600lm	X	BG/TAG
OL60-6-2	12~24V AC/DC	6W	4000K~4500K暖白	260mm×60mm	600lm	Y	BG/TAG
OL60-6-3	85~265V AC50/60Hz	6W	6000K~6500K正白	220mm×60mm	600lm	X	BG/TAG
OL60-6-4	85~265V AC50/60Hz	6W	4000K~4500K暖白	260mm×60mm	600lm	Y	BG/TAG
OL60-9-1	12~24V AC/DC	9W	6000K~6500K正白	320mm×60mm	900lm	X	BG/TAG
OL60-9-2	12~24V AC/DC	9W	4000K~4500K暖白	360mm×60mm	900lm	Y	BG/TAG
OL60-9-3	85~265V AC50/60Hz	9W	6000K~6500K正白	320mm×60mm	900lm	X	BG/TAG
OL60-9-4	85~265V AC50/60Hz	9W	4000K~4500K暖白	360mm×60mm	900lm	Y	BG/TAG
OL60-13-1	12~24V AC/DC	13W	6000K~6500K正白	465mm×60mm	1300lm	X	BG/TAG
OL60-13-2	12~24V AC/DC	13W	4000K~4500K暖白	510mm×60mm	1300lm	Y	BG/TAG
OL60-13-3	85~265V AC50/60Hz	13W	6000K~6500K正白	465mm×60mm	1300lm	X	BG/TAG
OL60-13-4	85~265V AC50/60Hz	13W	4000K~4500K暖白	510mm×60mm	1300lm	Y	BG/TAG
OL60-17-1	12~24V AC/DC	17W	6000K~6500K正白	530mm×60mm	1700lm	X	BG/TAG
OL60-17-2	12~24V AC/DC	17W	4000K~4500K暖白	570mm×60mm	1700lm	Y	BG/TAG
OL60-17-3	85~265V AC50/60Hz	17W	6000K~6500K正白	530mm×60mm	1700lm	X	BG/TAG
OL60-17-4	85~265V AC50/60Hz	17W	4000K~4500K暖白	570mm×60mm	1700lm	Y	BG/TAG
OL60-20-1	12~24V AC/DC	20W	6000K~6500K正白	670mm×60mm	2000lm	X	BG/TAG
OL60-20-2	12~24V AC/DC	20W	4000K~4500K暖白	710mm×60mm	2000lm	Y	BG/TAG
OL60-20-3	85~265V AC50/60Hz	20W	6000K~6500K正白	670mm×60mm	2000lm	X	BG/TAG
OL60-20-4	85~265V AC50/60Hz	20W	4000K~4500K暖白	710mm×60mm	2000lm	Y	BG/TAG

BG : Borosilicate glass 硅酸盐玻璃 TAG : Transparent Acrylic 透明亚克力

管状防爆LED灯 Tube LED Light

60LED-M系列



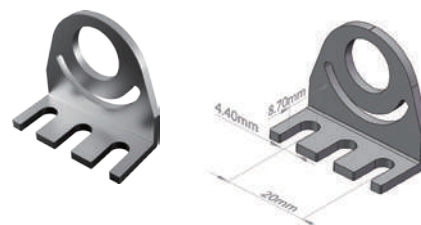
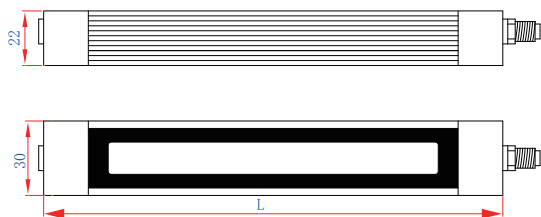
Versions:

Model 型号	Input Voltage 输入电压	Power 功率	Color Temperature 色温	Total Length 总长	Luminous Flux 光通量	Side Cap 侧盖	Tube Type 管材
OL60LED-M0230-1	12~24V AC/DC	6W	6000K~6500K正白	285mm	600lm	X	BG/TAG
OL60LED-M0230-2	12~24V AC/DC	6W	4000K~4500K暖白	325mm	600lm	Y	BG/TAG
OL60LED-M0230-3	85~265V AC 50/60Hz	6W	6000K~6500K正白	285mm	600lm	X	BG/TAG
OL60LED-M0230-4	85~265V AC 50/60Hz	6W	4000K~4500K暖白	325mm	600lm	Y	BG/TAG
OL60LED-M0248-1	12~24V AC/DC	9W	6000K~6500K正白	320mm	900lm	X	BG/TAG
OL60LED-M0248-2	12~24V AC/DC	9W	4000K~4500K暖白	360mm	900lm	Y	BG/TAG
OL60LED-M0248-3	85~265V AC 50/60Hz	9W	6000K~6500K正白	320mm	900lm	X	BG/TAG
OL60LED-M0248-4	85~265V AC 50/60Hz	9W	4000K~4500K暖白	360mm	900lm	Y	BG/TAG
OL60LED-M0266-1	12~24V AC/DC	13W	6000K~6500K正白	470mm	1300lm	X	BG/TAG
OL60LED-M0266-2	12~24V AC/DC	13W	4000K~4500K暖白	510mm	1300lm	Y	BG/TAG
OL60LED-M0266-3	85~265V AC 50/60Hz	13W	6000K~6500K正白	470mm	1300lm	X	BG/TAG
OL60LED-M0266-4	85~265V AC 50/60Hz	13W	4000K~4500K暖白	510mm	1300lm	Y	BG/TAG
OL60LED-M0284-1	12~24V AC/DC	17W	6000K~6500K正白	530mm	1700lm	X	BG/TAG
OL60LED-M0284-2	12~24V AC/DC	17W	4000K~4500K暖白	570mm	1700lm	Y	BG/TAG
OL60LED-M0284-3	85~265V AC 50/60Hz	17W	6000K~6500K正白	530mm	1700lm	X	BG/TAG
OL60LED-M0284-4	85~265V AC 50/60Hz	17W	4000K~4500K暖白	570mm	1700lm	Y	BG/TAG
OL60LED-M0296-1	12~24V AC/DC	20W	6000K~6500K正白	665mm	2000lm	X	BG/TAG
OL60LED-M0296-2	12~24V AC/DC	20W	4000K~4500K暖白	705mm	2000lm	Y	BG/TAG
OL60LED-M0296-3	85~265V AC 50/60Hz	20W	6000K~6500K正白	665mm	2000lm	X	BG/TAG
OL60LED-M0296-4	85~265V AC 50/60Hz	20W	4000K~4500K暖白	705mm	2000lm	Y	BG/TAG
OL60LED-M02120-1	12~24V AC/DC	24W	6000K~6500K正白	770mm	2400lm	X	BG/TAG
OL60LED-M02120-2	12~24V AC/DC	24W	4000K~4500K暖白	810mm	2400lm	Y	BG/TAG
OL60LED-M02120-3	85~265V AC 50/60Hz	24W	6000K~6500K正白	770mm	2400lm	X	BG/TAG
OL60LED-M02120-4	85~265V AC 50/60Hz	24W	4000K~4500K暖白	810mm	2400lm	Y	BG/TAG
OL60LED-M02160-1	12~24V AC/DC	32W	6000K~6500K正白	1100mm	3200lm	X	TAG
OL60LED-M02160-2	12~24V AC/DC	32W	4000K~4500K暖白	1135mm	3200lm	Y	TAG
OL60LED-M02160-3	85~265V AC 50/60Hz	32W	6000K~6500K正白	1100mm	3200lm	X	TAG
OL60LED-M02160-4	85~265V AC 50/60Hz	32W	4000K~4500K暖白	1135mm	3200lm	Y	TAG
OL60LED-M02200-1	12~24V AC/DC	40W	6000K~6500K正白	1500mm	4000lm	X	TAG
OL60LED-M02200-2	12~24V AC/DC	40W	4000K~4500K暖白	1535mm	4000lm	Y	TAG
OL60LED-M02200-3	85~265V AC 50/60Hz	40W	6000K~6500K正白	1500mm	4000lm	X	TAG
OL60LED-M02200-4	85~265V AC 50/60Hz	40W	4000K~4500K暖白	1535mm	4000lm	Y	TAG

BG : Borosilicate glass 硅酸盐玻璃 TAG : Transparent Acrylic 透明亚克力

管状防爆LED灯 Tube LED Light
AL30工作灯

Technical Parameters 技术参数			
Electronic Control Gear 电子控制器	Driver 驱动器	Class of Protection 保护等级	I or III
Luminaire of Protection 防护等级	IP67	Diameter of Tube 管径	Ø40mm


AL30
Versions:

Model 型号	Input Voltage 输入电压	Power 功率	Color Temperature 色温	Total Length 安装尺寸(L×D)	Luminous Flux 光通量
AL30-3-1	12~24V AC/DC	3W	6000K~6500K正白	150mm×20mm	300lm
AL30-3-2	12~24V AC/DC	3W	4000K~4500K暖白	150mm×20mm	300lm
AL30-3-3	85~265V AC50/60Hz	3W	6000K~6500K正白	150mm×20mm	300lm
AL30-3-4	85~265V AC50/60Hz	3W	4000K~4500K暖白	150mm×20mm	300lm
AL30-6-1	12~24V AC/DC	6W	6000K~6500K正白	220mm×20mm	600lm
AL30-6-2	12~24V AC/DC	6W	4000K~4500K暖白	220mm×20mm	600lm
AL30-6-3	85~265V AC50/60Hz	6W	6000K~6500K正白	220mm×20mm	600lm
AL30-6-4	85~265V AC50/60Hz	6W	4000K~4500K暖白	220mm×20mm	600lm
AL30-9-1	12~24V AC/DC	9W	6000K~6500K正白	300mm×20mm	900lm
AL30-9-2	12~24V AC/DC	9W	4000K~4500K暖白	300mm×20mm	900lm
AL30-9-3	85~265V AC50/60Hz	9W	6000K~6500K正白	300mm×20mm	900lm
AL30-9-4	85~265V AC50/60Hz	9W	4000K~4500K暖白	300mm×20mm	900lm
AL30-12-1	12~24V AC/DC	12W	6000K~6500K正白	400mm×20mm	1200lm
AL30-12-2	12~24V AC/DC	12W	4000K~4500K暖白	400mm×20mm	1200lm
AL30-12-3	85~265V AC50/60Hz	12W	6000K~6500K正白	400mm×20mm	1200lm
AL30-12-4	85~265V AC50/60Hz	12W	4000K~4500K暖白	400mm×20mm	1200lm
AL30-15-1	12~24V AC/DC	15W	6000K~6500K正白	500mm×20mm	1500lm
AL30-15-2	12~24V AC/DC	15W	4000K~4500K暖白	500mm×20mm	1500lm
AL30-15-3	85~265V AC50/60Hz	15W	6000K~6500K正白	500mm×20mm	1500lm
AL30-15-4	85~265V AC50/60Hz	15W	4000K~4500K暖白	500mm×20mm	1500lm

管状防爆LED灯 Tube LED Light

AL60工作灯

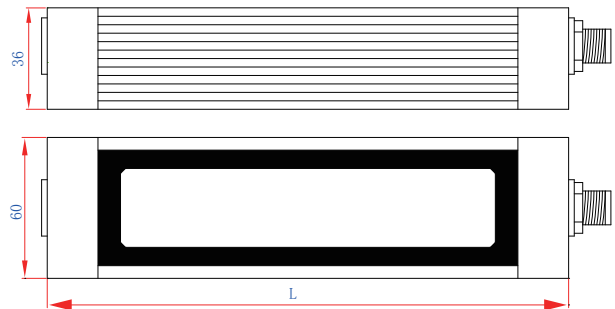
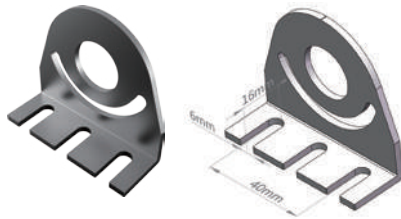
Technical Parameters 技术参数			
Electronic Control Gear 电子控制器	Driver 驱动器	Class of Protection 保护等级	I or III
Luminaire of Protection 防护等级	IP67	Diameter of Tube 管径	Ø60mm



支架X



支架A



AL60

Versions:

Model 型号	Input Voltage 输入电压	Power 功率	Color Temperature 色温	Lamp's Total Length 灯体总长(L)	Luminous Flux 光通量	Side Cap 侧盖
AL60-9-1	12~24V AC/DC	9W	6000K~6500K正白	310mm	600lm	X/A
AL60-9-2	12~24V AC/DC	9W	4000K~4500K暖白	310mm	600lm	X/A
AL60-9-3	85~265V AC50/60Hz	9W	6000K~6500K正白	310mm	600lm	X/A
AL60-9-4	85~265V AC50/60Hz	9W	4000K~4500K暖白	310mm	600lm	X/A
AL60-13-1	12~24V AC/DC	13W	6000K~6500K正白	460mm	900lm	X/A
AL60-13-2	12~24V AC/DC	13W	4000K~4500K暖白	460mm	900lm	X/A
AL60-13-3	85~265V AC50/60Hz	13W	6000K~6500K正白	460mm	900lm	X/A
AL60-13-4	85~265V AC50/60Hz	13W	4000K~4500K暖白	460mm	900lm	X/A
AL60-17-1	12~24V AC/DC	17W	6000K~6500K正白	525mm	1300lm	X/A
AL60-17-2	12~24V AC/DC	17W	4000K~4500K暖白	525mm	1300lm	X/A
AL60-17-3	85~265V AC50/60Hz	17W	6000K~6500K正白	525mm	1300lm	X/A
AL60-17-4	85~265V AC50/60Hz	17W	4000K~4500K暖白	525mm	1300lm	X/A
AL60-20-1	12~24V AC/DC	20W	6000K~6500K正白	665mm	1700lm	X/A
AL60-20-2	12~24V AC/DC	20W	4000K~4500K暖白	665mm	1700lm	X/A
AL60-20-3	85~265V AC50/60Hz	20W	6000K~6500K正白	665mm	1700lm	X/A
AL60-20-4	85~265V AC50/60Hz	20W	4000K~4500K暖白	665mm	1700lm	X/A
AL60-24-1	12~24V AC/DC	24W	6000K~6500K正白	760mm	2000lm	X/A
AL60-24-2	12~24V AC/DC	24W	4000K~4500K暖白	760mm	2000lm	X/A
AL60-24-3	85~265V AC50/60Hz	24W	6000K~6500K正白	760mm	2000lm	X/A
AL60-24-4	85~265V AC50/60Hz	24W	4000K~4500K暖白	760mm	2000lm	X/A

FLED灯 FLED Working Light **FLED工作灯**

Technical Parameters 技术参数			
Electronic Control Gear 电子控制器	Driver 驱动器	Class of Protection 保护等级	I
Luminaire of Protection 防护等级	IP65	Life Time 寿命	50000h

Features:

- *High light-700 lux(150cm);
- *The appearance is simple and fashion;
- *Ultrathin lamp body,using small space;
- *Ambient working temperature:-25°C~+55°C.

Application:

CNC machine tools,machine tool,machining center and other lighting.

特点:

- *高亮度700勒克斯 (150cm) ;
- *外观简约时尚;
- *超薄灯体, 占用空间小;
- *工作环境温度: -25°C~+55°C.

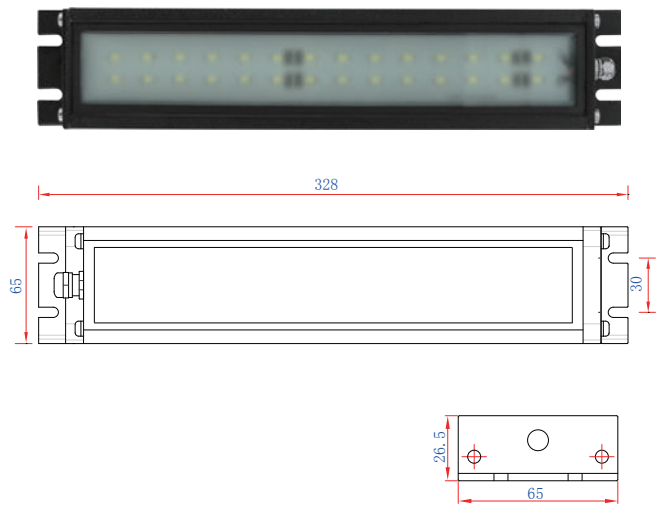
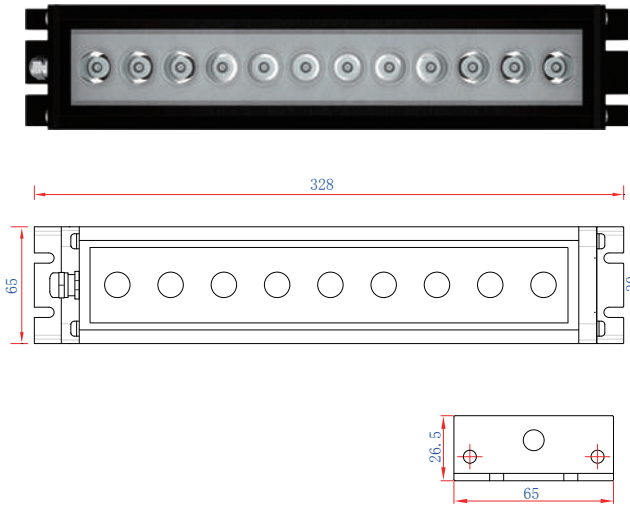
应用场所:

数控机床、组合机床、加工中心及其他照明。



FLED1

FLED2



FLED

Model 型号	Input Voltage 输入电压	Power 功率	Color Temperature 色温	Luminous Flux 光通量	Total Length 总长
FLED1-108-1	24V DC	8W	6000K~6500K正白	800lm	328mm
FLED1-108-2	24V DC	8W	4000K~4500K暖白	800lm	328mm
FLED1-112-1	24V DC	12W	6000K~6500K正白	1200lm	328mm
FLED1-112-2	24V DC	12W	4000K~4500K暖白	1200lm	328mm
FLED2-110-1	24V DC	10W	6000K~6500K正白	1000lm	328mm
FLED2-110-2	24V DC	10W	4000K~4500K暖白	1000lm	328mm

BFLED工作灯 BFLED Working Light

BFLED工作灯

Technical Parameters 技术参数			
Electronic Control Gear 电子控制器	Driver	Life Time 寿命	50000h
Luminaire of Protection 防护等级	IP67	Beam Angle 光束角	360°

Features:

- *Good functions of Water proof,oil proof,anti-corrosion and anti-riot;
- *Uniform distribution of light,excellent color rendering,good lighting effects and no glare;
- *Easy installation and low maintenance;
- *The qualified aluminum with good dissipation,transparent and tempered glass;
- *High quality of waterproof connector,aluminum PCB,silicone rubber sealing ring and reflector/lens;
- *Color rendering index>80;
- *Diffusion plate:high light transmittance and good light diffusion effect,comfortable light environment for operator;
- *Ambient working temperature:-25°C~+55°C.

Application:

CNC machine tools,machine tool,machining center,cold storage,electrical cabinet,freezer,mine and other lighting.

特点:

- *防水、防油、防蚀与防爆功能；
- *光线分布均匀，显色性强，照明效果好，不刺眼；
- *安装简易、维修率低；
- *散热性好的优质铝、透明钢化玻璃；
- *高品质防水接头、金属铝基板、硅橡胶密封圈、反光杯或透镜；
- *显色指数>80；
- *扩散板：高透光率和良好的光扩散效果；防眩，使操作人员处于良好舒适的光环境下工作；
- *工作环境温度：-25°C~+55°C

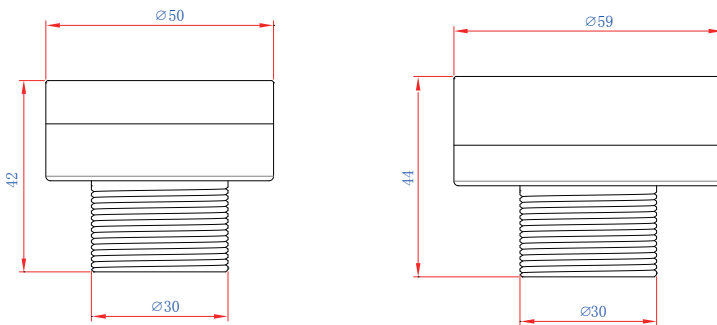
应用场所:

数控机床、组合机床、加工中心、电柜、冷库、矿井及其他照明。

BF1



BF2



BF1

BF2

Versions:

Model 型号	Input Voltage 输入电压	Power 功率	Color Temperature 色温	Dimension 尺寸	Luminous Flux 光通量
BF1-103-1	24V DC	3W	6000K~6500K正白	∅50mm×42mm	300lm
BF1-103-2	24V DC	3W	4000K~4500K暖白	∅50mm×42mm	300lm
BF1-105-1	24V DC	5W	6000K~6500K正白	∅50mm×42mm	500lm
BF1-105-2	24V DC	5W	4000K~4500K暖白	∅50mm×42mm	500lm
BF2-103-1	24V DC	3W	6000K~6500K正白	∅59mm×44mm	300lm
BF2-103-2	24V DC	3W	4000K~4500K暖白	∅59mm×44mm	300lm
BF2-105-1	24V DC	5W	6000K~6500K正白	∅59mm×44mm	500lm
BF2-105-2	24V DC	5W	4000K~4500K暖白	∅59mm×44mm	500lm

鹅颈式LED工作灯 Flexible-Head LED Light **SPOTLED工作灯**

Technical Parameters 技术参数			
Electronic Control Gear 电子控制器	Driver 驱动器	Class of Protection 保护等级	I or III
Luminaire of Protection 防护等级	IP65	Beam Angle 光束角	60°

Features:

- *Good functions of Water proof, oil proof, anti-corrosion and anti-riot;
- *Uniform distribution of light, excellent color rendering and good lighting effects;
- *Easy installation and low maintenance;
- *The LED chips of light source are imported from USA, it has good performance of low power consumption, high efficiency and long life time;
- *The high quality of AC/DC LED driver with the good parameters of low power consumption, protect circuit function and long life time;
- *The qualified aluminum with good dissipation, transparent and tempered glass;
- *High quality of aluminum PCB, silicone rubber sealing ring and reflector/lens;
- *Color rendering index > 80

Application:

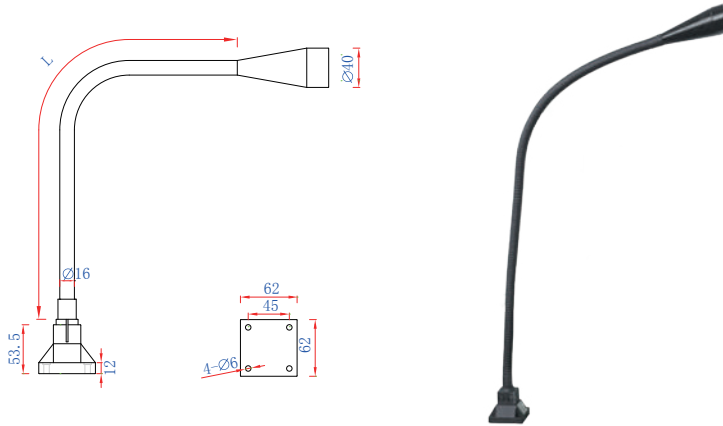
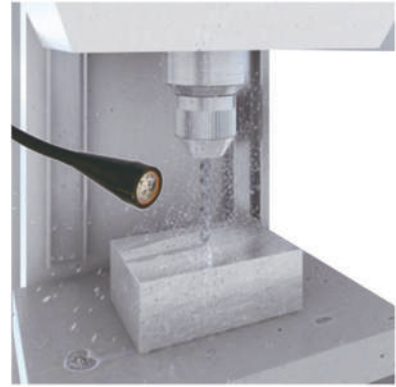
CNC machine tools, machine tool, machining center and other lighting.

特点:

- *防水、防油、防蚀与防爆功能；
- *光线分布均匀，显色性强，照明效果好；
- *安装简易、维修率低；
- *优质美国进口芯片LED光源、具有低功耗、高效能、寿命长；
- *交/直流高品质电子驱动器，具有低功耗、保护电路功能，寿命长；
- *散热性好的优质铝、透明钢化玻璃；
- *高品质金属铝基板、硅橡胶密封圈、反光杯或透镜；
- *显色指数 > 80

应用场所:

数控机床、组合机床、加工中心及其他照明。



Versions:
SPOT LED1

Model 型号	Input Voltage 输入电压	Power 功率	Color Temperature 色温	Luminous Flux 光通量	Hole Height 杆高
SPOT LED1-103-1	12~24V AC/DC	3W	6000K~6500K正白	300lm	500mm
SPOT LED1-103-2	12~24V AC/DC	3W	4000K~4500K暖白	300lm	500mm
SPOT LED1-103-3	85~265V 50/60Hz	3W	6000K~6500K正白	300lm	750mm
SPOT LED1-103-4	85~265V 50/60Hz	3W	4000K~4500K暖白	300lm	750mm
SPOT LED1-103-5	12~24V AC/DC	3W	6000K~6500K正白	300lm	300mm
SPOT LED1-103-6	12~24V AC/DC	3W	4000K~4500K暖白	300lm	300mm

鹅颈式LED工作灯 Flexible-Head LED Light

SLED工作灯



SLED1

Model 型号	Input Voltage 输入电压	Power 功率	Color Temperature 色温	Luminous Flux 光通量	Hole Height 杆高
SLED1-103-1	12~24V AC/DC	3W	6000K~6500K正白	300lm	No Arm无杆
SLED1-103-2	12~24V AC/DC	3W	4000K~4500K暖白	300lm	No Arm无杆
SLED1-103-3	85~265V 50/60Hz	3W	6000K~6500K正白	300lm	No Arm无杆
SLED1-103-4	85~265V 50/60Hz	3W	4000K~4500K暖白	300lm	No Arm无杆
SLED1-103-5	12~24V AC/DC	3W	6000K~6500K正白	300lm	300mm
SLED1-103-6	12~24V AC/DC	3W	4000K~4500K暖白	300lm	300mm
SLED1-103-7	85~265V 50/60Hz	3W	6000K~6500K正白	300lm	500mm
SLED1-103-8	85~265V 50/60Hz	3W	4000K~4500K暖白	300lm	500mm

基座/臂式LED灯 Pivoting-Head/Arm-Mounted LED Light EMLED工作灯

Technical Parameters 技术参数			
Electronic Control Gear 电子控制器	Driver 驱动器	Class of Protection 保护等级	I or III
Luminaire of Protection 防护等级	IP65	Beam Angle 光束角	60°

Features:

- *EMLED series are available as long-arm, short-arm and no arm variant, the base can rotate 320 degree, radiation angle can be arbitrary choice, concentrating effect are nice, a maximum positioning allows a use-friendly lighting in the working area;
- *Good functions of Water proof, oil proof, anti-corrosion and anti-riot;
- *Uniform distribution of light, excellent color rendering and good lighting effects;
- *Easy installation and low maintenance;
- *The LED chips of light source are imported from USA, it has good performance of low power consumption, high efficiency and long life time;
- *The high quality of AC/DC LED driver with the good parameters of low power consumption, protect circuit function and long life time;
- *The qualified aluminum with good dissipation, transparent and tempered glass;
- *High quality of aluminum PCB, silicone rubber sealing ring and reflector/lens;
- *Color rendering index > 80

Application:

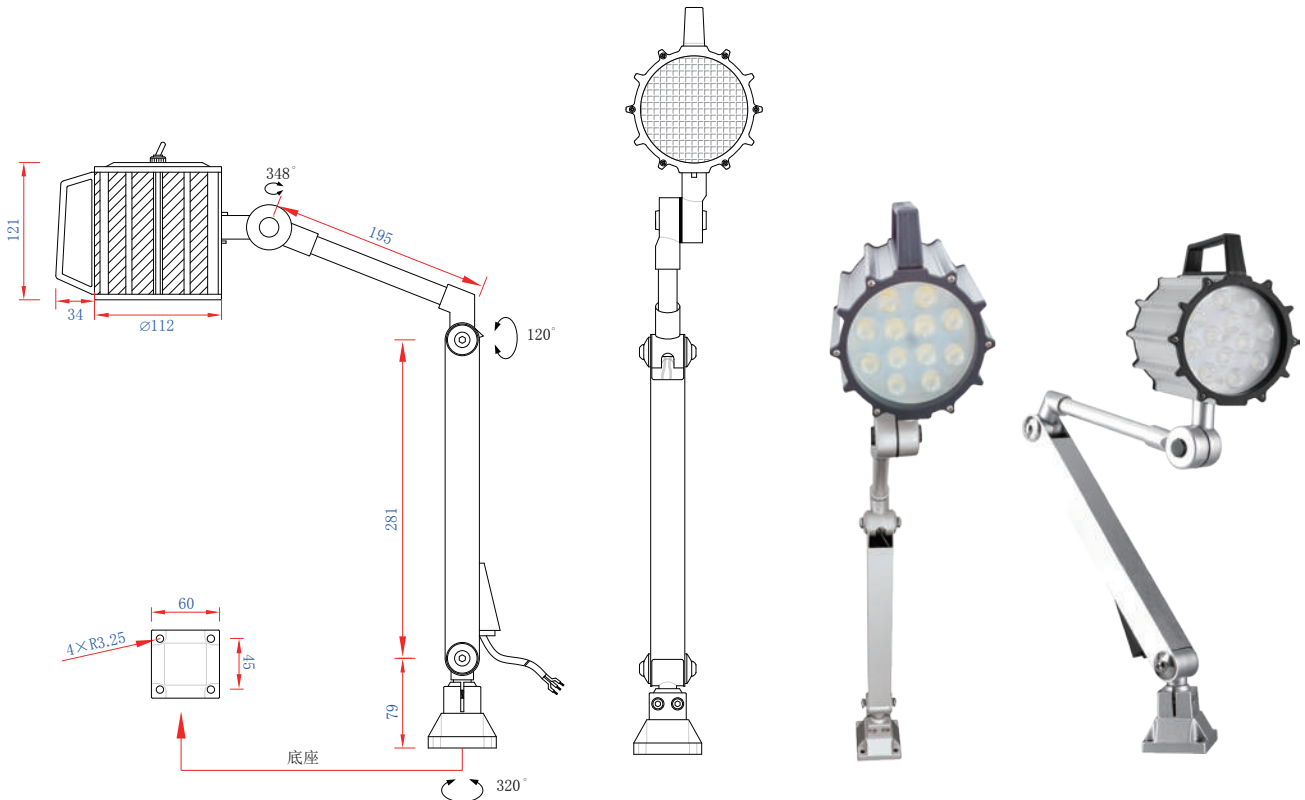
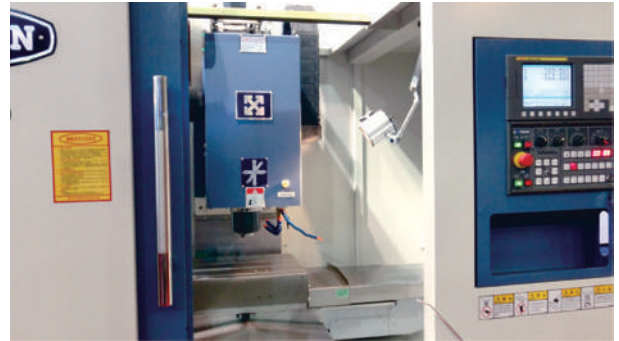
EMLED series are especially designed for machine tools where special tasks call for an intense and strong point light, these series are used in machines where coolant, oil, water and other fluids are present.

特点:

- *EMLED系列机床灯有长臂、短臂与无臂等多种型号，底座最大320°旋转，照射角度可任意选择，聚光效果好，能够非常灵活的、最大限度地满足工作区的照明；
- *防水、防油、防蚀与防爆功能；
- *光线分布均匀，显色性强，照明效果好；
- *安装简易、维修率低；
- *优质美国进口芯片LED光源、具有低功耗、高效能、寿命长；
- *交/直流高品质电子驱动器，具有低功耗、保护电路功能，寿命长；
- *散热性好的优质铝、透明钢化玻璃；
- *高品质金属铝基板、硅橡胶密封圈、反光杯或透镜；
- *显色指数 > 80

应用场所:

EMLED系列机床工作灯专用于机床和加工中心强照射灯，适用于机器内部有冷却液、油、水等较恶劣的工作环境。

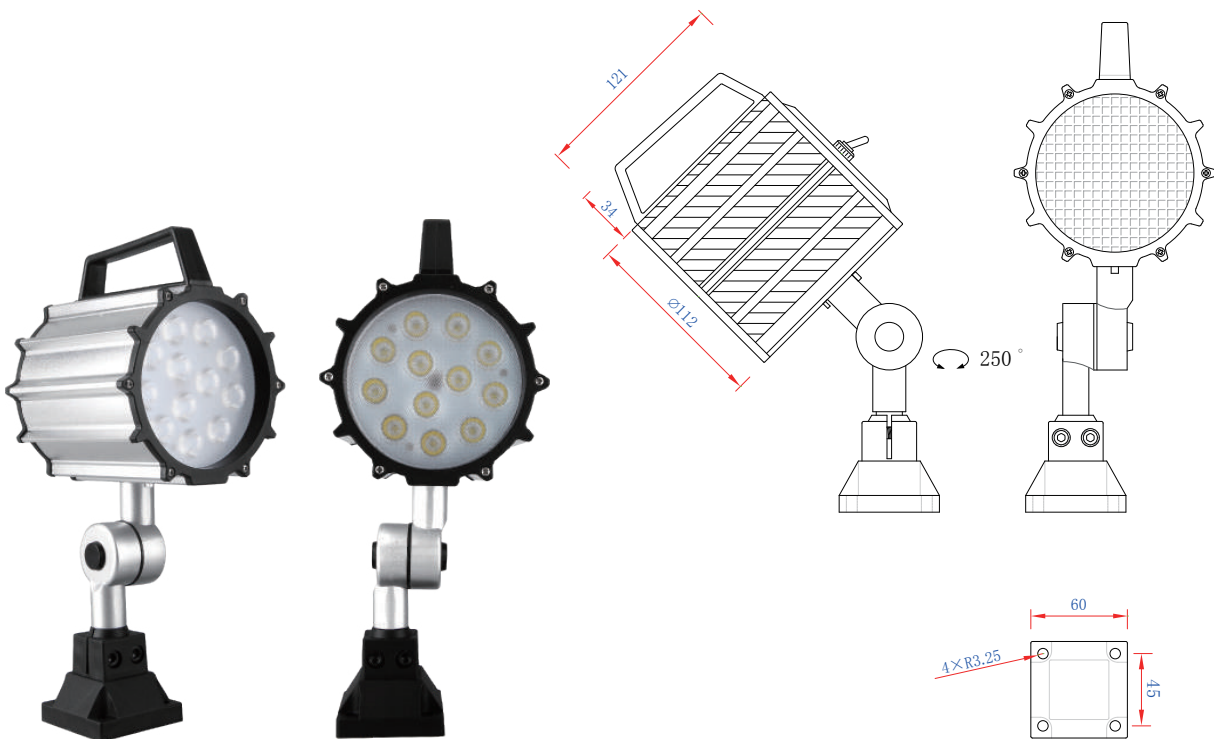


基座/臂式LED灯 Pivoting-Head/Arm-Mounted LED Light

EMLED工作灯

Versions:
EMLED

Model 型号	Input Voltage 输入电压	Power 功率	Color Temperature 色温	Luminous Flux 光通量	Arm 杆
EMLED-109-1	12~24V AC/DC	9W	6000K~6500K正白	900lm	Without Arm无杆
EMLED-109-2	12~24V AC/DC	9W	4000K~4500K暖白	900lm	Without Arm无杆
EMLED-109-3	85~265V AC 50/60Hz	9W	6000K~6500K正白	900lm	Without Arm无杆
EMLED-109-4	85~265V AC 50/60Hz	9W	4000K~4500K暖白	900lm	Without Arm无杆
EMLED-109-5	12~24V AC/DC	9W	6000K~6500K正白	900lm	With Arm有杆
EMLED-109-6	12~24V AC/DC	9W	4000K~4500K暖白	900lm	With Arm有杆
EMLED-109-7	85~265V AC 50/60Hz	9W	6000K~6500K正白	900lm	With Arm有杆
EMLED-109-8	85~265V AC 50/60Hz	9W	4000K~4500K暖白	900lm	With Arm有杆
EMLED-112-1	12~24V AC/DC	12W	6000K~6500K正白	1200lm	Without Arm无杆
EMLED-112-2	12~24V AC/DC	12W	4000K~4500K暖白	1200lm	Without Arm无杆
EMLED-112-3	85~265V AC 50/60Hz	12W	6000K~6500K正白	1200lm	Without Arm无杆
EMLED-112-4	85~265V AC 50/60Hz	12W	4000K~4500K暖白	1200lm	Without Arm无杆
EMLED-112-5	12~24V AC/DC	12W	6000K~6500K正白	1200lm	With Arm有杆
EMLED-112-6	12~24V AC/DC	12W	4000K~4500K暖白	1200lm	With Arm有杆
EMLED-112-7	85~265V AC 50/60Hz	12W	6000K~6500K正白	1200lm	With Arm有杆
EMLED-112-8	85~265V AC 50/60Hz	12W	4000K~4500K暖白	1200lm	With Arm有杆
EMLED-115-1	12~24V AC/DC	15W	6000K~6500K正白	1500lm	Without Arm无杆
EMLED-115-2	12~24V AC/DC	15W	4000K~4500K暖白	1500lm	Without Arm无杆
EMLED-115-3	85~265V AC 50/60Hz	15W	6000K~6500K正白	1500lm	Without Arm无杆
EMLED-115-4	85~265V AC 50/60Hz	15W	4000K~4500K暖白	1500lm	Without Arm无杆
EMLED-115-5	12~24V AC/DC	15W	6000K~6500K正白	1500lm	With Arm有杆
EMLED-115-6	12~24V AC/DC	15W	4000K~4500K暖白	1500lm	With Arm有杆
EMLED-115-7	85~265V AC 50/60Hz	15W	6000K~6500K正白	1500lm	With Arm有杆
EMLED-115-8	85~265V AC 50/60Hz	15W	4000K~4500K暖白	1500lm	With Arm有杆



FSLED灯 FSLED Light 硬条灯

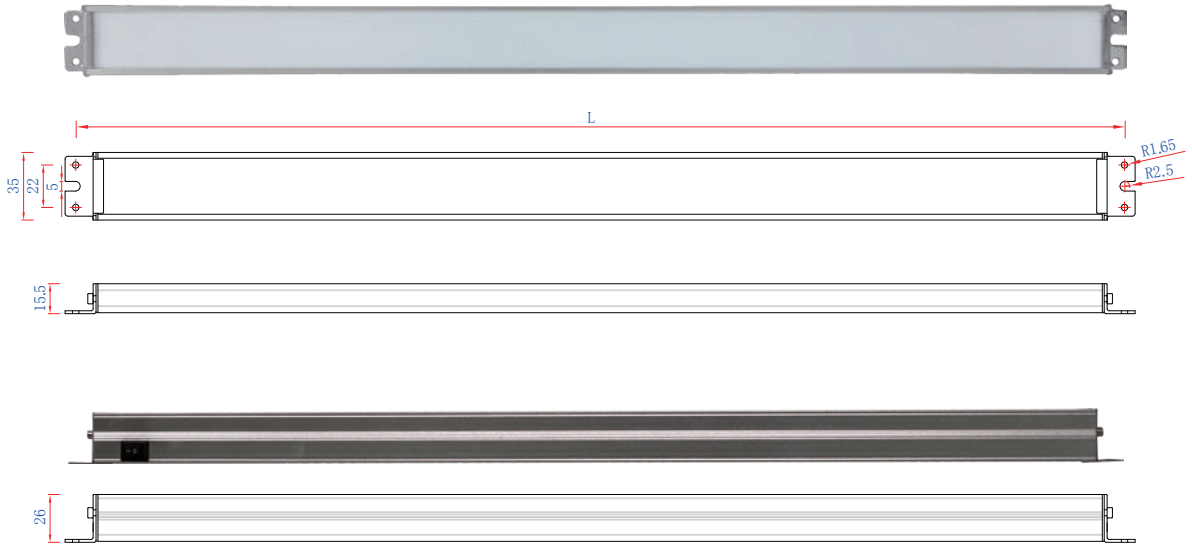
Technical Parameters 技术参数			
Electronic Control Gear 电子控制器	Driver 驱动器	Class of Protection 保护等级	III
Luminaire of Protection 防护等级	IP54	LED 光源	5730

- Features:**
- *Special optics structure, flicker-free, uniform light distribution;
 - *Saving energy consumption;
 - *It has a longer lifetime than traditional light sources, which reduces maintenance;
 - *Quick start and frequent starts allowed;
 - *Green environmental protection, no stroboscopic, no ultraviolet (uv) light, no infrared radiation.

Application:
Electrical cabinet, deep freezer, armature, refrigerator, CNC machine tools and other lighting.

- 产品特点:**
- *特殊光学结构, 照明无眩光, 发光均匀;
 - *高效率, 节约能源损耗;
 - *较传统光源寿命长, 降低维护费用;
 - *灵活便捷, 启动快, 允许频繁启动;
 - *绿色环保, 无频闪、无紫外线光、无红外辐射。

应用场所:
高铁检查机、冰柜、电柜、冷柜、数控机床及其他照明。



Model 型号	Input Voltage 输入电压	Power 功率	Color Temperature 色温	Luminous Flux 光通量	Installation Dimension 安装尺寸
FSLED-105-1	24V DC	5W	6000K~6500K正白	500lm	215mm×22mm
FSLED-105-2	24V DC	5W	4000K~4500K暖白	500lm	215mm×22mm
FSLED-110-1	24V DC	10W	6000K~6500K正白	1000lm	380mm×22mm
FSLED-110-2	24V DC	10W	4000K~4500K暖白	1000lm	380mm×22mm
FSLED-115-1	24V DC	15W	6000K~6500K正白	1500lm	545mm×22mm
FSLED-115-2	24V DC	15W	4000K~4500K暖白	1500lm	545mm×22mm
FSLED-105-1S	24V DC	5W	6000K~6500K正白	500lm	215mm×22mm
FSLED-105-2S	24V DC	5W	4000K~4500K暖白	500lm	215mm×22mm
FSLED-110-1S	24V DC	10W	6000K~6500K正白	1000lm	380mm×22mm
FSLED-110-2S	24V DC	10W	4000K~4500K暖白	1000lm	380mm×22mm
FSLED-115-1S	24V DC	15W	6000K~6500K正白	1500lm	545mm×22mm
FSLED-115-2S	24V DC	15W	4000K~4500K暖白	1500lm	545mm×22mm

ESLED灯 ESLED Light

ESLED灯

Technical Parameters技术参数			
Electronic Control Gear电子控制器	Driver 驱动器	Class of Protection保护等级	Ⅲ
Luminaire of Protection防护等级	IP54	LED 光源	3258

Features:

- *Special optics structure, flicker-free, uniform light distribution;
- *Saving energy consumption;
- *It has a longer lifetime than traditional light sources, which reduces maintenance;
- *Quick start and frequent starts allowed;
- *Green environmental protection, no stroboscopic, no ultraviolet (uv) light, no infrared radiation.

Application:

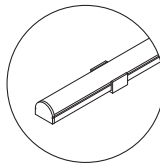
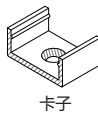
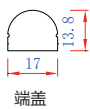
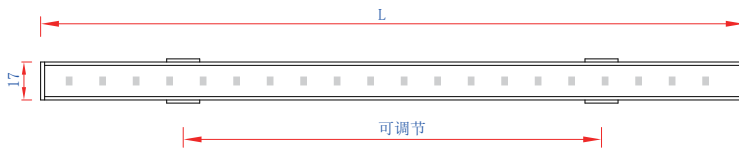
Deep freezer, electrical cabinet, armature, CNC machine tools and other lighting.

产品特点：

- *特殊光学结构，照明无眩光，发光均匀；
- *高效能，节约能源损耗；
- *较传统光源寿命长，降低维护费用；
- *灵活便捷，启动快，允许频繁启动；
- *绿色环保、无频闪、无紫外线光、无红外辐射。

应用场所：

高铁检查机、冰柜、电柜、冷柜、数控机床及其他照明。



Model 型号	Input Voltage 输入电压	Power 功率	Color Temperature 色温	Luminous Flux 光通量	Total Length 总长
ESLED3-103-1	24V DC	3W	6000K~6500K正白	300lm	300mm
ESLED3-103-2	24V DC	3W	6000K~6500K正白	300lm	300mm
ESLED3-105-1	24V DC	5W	6000K~6500K正白	500lm	315mm
ESLED3-105-2	24V DC	5W	6000K~6500K正白	500lm	315mm
ESLED3-108-1	24V DC	8W	6000K~6500K正白	800lm	800mm
ESLED3-108-2	24V DC	8W	6000K~6500K正白	800lm	800mm
ESLED3-110-1	24V DC	10W	6000K~6500K正白	1000lm	1000mm
ESLED3-110-2	24V DC	10W	6000K~6500K正白	1000lm	1000mm



Otennlux®

Engineer LED Light



IP FC



放大镜LED灯 Magnifier LED Light

MALED灯

Technical Parameters 技术参数			
Electronic Control Gear 电子控制器	Driver 驱动器	Class of Protection 保护等级	II
Luminaire of Protection 防护等级	IP20	Life Time 寿命	50000h

Features:

- *Maintenance-free LED technology;
- *Low-distortion magnification right to the edge;
- *Hard-coated plastic lens;
- *Exactly adjustable flexible tube;
- *Low space requirements.

Application:

Suitable for local illumination of designing, drawing, assembly line, office, which are best fixture for computer table drawing table.

特点:

- *免维护LED技术；
- *低失真放大；
- *硬涂层塑料透镜；
- *精确可调软管；
- *低空间要求。

应用场所:

适用于科研、测绘、办公、装配、阅读局部照明，是电脑台、绘图台、办公桌和理想照明灯具。



Model 型号	Input Voltage 输入电压	Power 功率	Color Temperature 色温	Diopters 屈光度	Operating Device
MALED	100~240V AC 50/60Hz	6W	4000K	5.3	带插头

TLED工作台灯 LED Working Table Light

TLED灯

Technical Parameters 技术参数			
Electronic Control Gear 电子控制器	Driver 驱动器	Class of Protection 保护等级	II
Luminaire of Protection 防护等级	IP20	Life Time 寿命	50000h

Features:

- *Radiation angle can be arbitrary choice, concentrating effect are nice, a maximum positioning allows a use-friendly lighting in the working area;
- *Uniform distribution of light, excellent color rendering and good lighting effects;
- *Easy installation and low maintenance;
- *The qualified aluminum with good dissipation, transparent and tempered glass;
- *High quality of aluminum PCB, silicone rubber sealing ring and reflector/lens;
- *Color rendering index > 80.

Application:

Suitable for local illumination of designing, drawing, assemble line, test of products, which are best fixture for office environment, computer table.

特点:

- *照射角度可任意选择, 聚光效果好, 能够非常灵活的、最大限度地满足工作区的照明;
- *光线分布均匀, 显色性强, 照明效果好;
- *安装简易、维修率低;
- *散热性好的优质铝、透明钢化玻璃;
- *高品质金属铝基板、硅橡胶密封圈、反光杯或透镜;
- *显色指数 > 80.

应用场所:

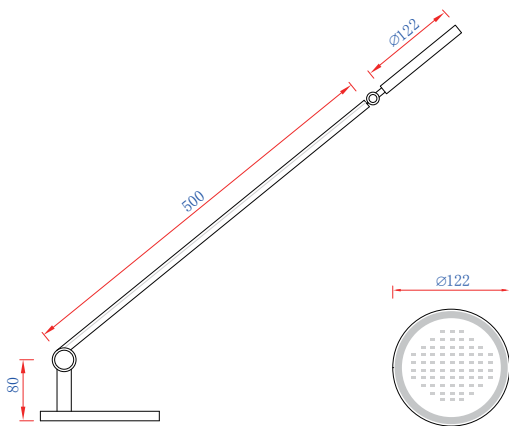
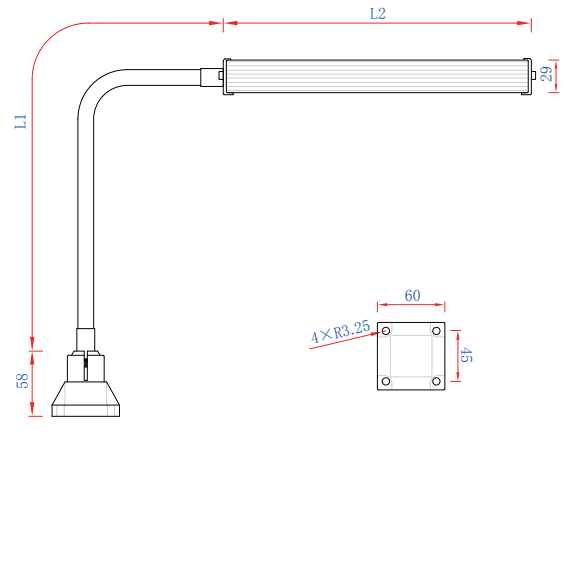
适用于科研、测绘、装配线、产品检验局部的操作照明, 及办公环境、电脑台面的理想照明灯具。



TLED1



TLED2



Model 型号	Input Voltage 输入电压	Power 功率	Color Temperature 色温	Luminous Flux 光通量
TLED1-108A	100~240V AC 50/60Hz	8W	6000K~6500K正白	800lm
TLED1-108B	100~240V AC 50/60Hz	8W	4000K~4500K暖白	800lm
TLED2-106A	100~240V AC 50/60Hz	6W	6000K~6500K正白	600lm
TLED2-106B	100~240V AC 50/60Hz	6W	4000K~4500K暖白	600lm
TLED2-110A	100~240V AC 50/60Hz	10W	6000K~6500K正白	1000lm
TLED2-110B	100~240V AC 50/60Hz	10W	4000K~4500K暖白	1000lm

LED多功能警示灯 LED Multi-Functional Signal Light OLB警示灯

Technical Parameters 技术参数			
Electronic Control Gear 电子控制器	RGY (BW)	Life Time 寿命	50000h
Luminaire of Protection 防护等级	IP65	Beam Angle 光束角	360°

Features:

- *Efficient LED multi signal lamps meets the various needs with good price;
- *Mixed prism cutting lampshade, eliminate the visual blind spots may exist, greatly improving the visual performance of long distance;
- *Using the double mirror structure strong then propagation of LED light, color recognition effect is distinct with a minimum of LED;
- *Installation: installed directly or rod installation;
- *The LED module with free assembly, even after the installation of change module arrangement or add modules without rewiring;
- *The lamp body is made of Nylon66, with good thermal shock resistance;
- *The lampshade is made of PC with good heat shock.

Application:

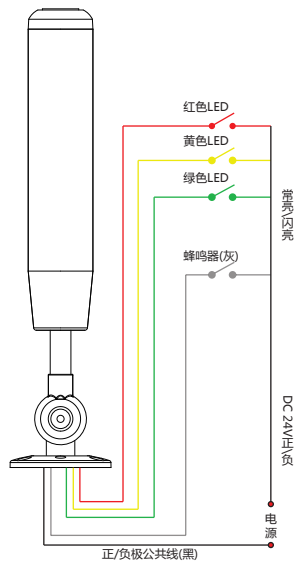
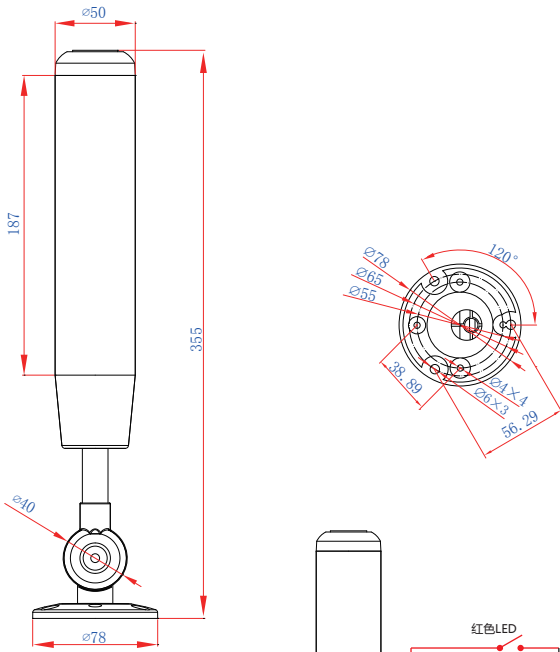
CNC machine tools, machine tool, machining center, security equipment, laser equipment, assembly line, security system and other lighting.

特点:

- *高效LED多功能信号灯, 可满足各种需求, 性价比高;
- *混合棱镜切割灯罩, 消除了可能存在的视觉盲点, 大大提高了远距离的可视性能;
- *利用双反射镜构造加强LED光的传播, 利用最少的LED产生鲜明的彩色识别效果;
- *安装: 直接安装或杆式安装;
- *可自由组装的LED模块, 即使安装后改变模块排列或增加模块也无需重新接线;
- *灯体由尼龙66制成, 耐热抗冲击;
- *灯罩由耐热抗冲击半透明的聚碳酸酯制成。

应用场所:

数控机床、组合机床、加工中心、安防设备、激光设备、流水线、安检系统及其他照明。



订购参数说明

OLB1-501 B P - RYG	
安装 1. 折叠式 2. 直立式	信号颜色 R. 红色 Y. 黄色 G. 绿色
色层数 1层	接线方式 P. DC 24V 共正 N. DC 24V 共负
额定电压 01. DC 24V	
类型 B. 常亮 F. 常亮带蜂鸣 R. 闪亮 Q. 闪亮带蜂鸣	

LED多功能警示灯 LED Multi-Functional Signal Light

OLC警示灯

Technical Parameters 技术参数			
Electronic Control Gear 电子控制器	RGY (BW)	Life Time 寿命	50000h
Luminaire of Protection 防护等级	IP65	Beam Angle 光束角	360°

Features:

- *Efficient LED multi signal lamps meets the various needs with good price;
- *Mixed prism cutting lampshade, eliminate the visual blind spots may exist, greatly improving the visual performance of long distance;
- *Using the double mirror structure strong then propagation of LED light, color recognition effect is distinct with a minimum of LED;
- *Installation: installed directly or rod installation;
- *The LED module with free assembly, even after the installation of change module arrangement or add modules without rewiring;
- *The lamp body is made of Nylon66, with good thermal shock resistance;
- *The lampshade is made of PC with good heat shock.

Application:

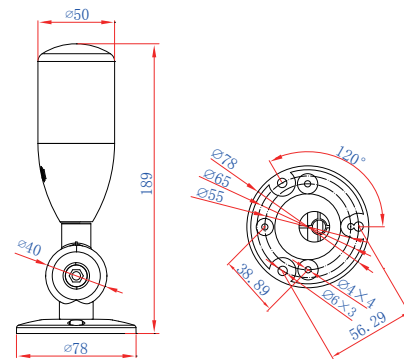
CNC machine tools, machine tool, machining center, security equipment, laser equipment, assembly line, security system and other lighting.

特点:

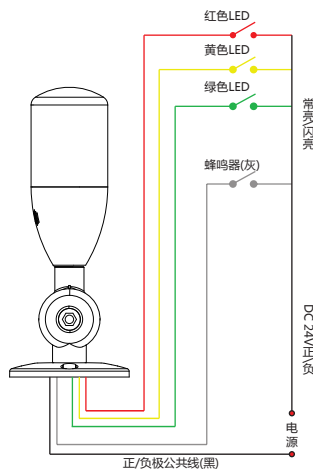
- *高效LED多功能信号灯, 可满足各种需求, 性价比高;
- *混合棱镜切割灯罩, 消除了可能存在的视觉盲点, 大大提高了远距离的可视性能;
- *利用双反射镜构造加强LED光的传播, 利用最少的LED产生鲜明的彩色识别效果;
- *安装: 直接安装或杆式安装;
- *可自由组装的LED模块, 即使安装后改变模块排列或增加模块也无需重新接线;
- *灯体由尼龙66制成, 耐热抗冲击;
- *灯罩由耐热抗冲击半透明的聚碳酸酯制成。

应用场所:

数控机床、组合机床、加工中心、安防设备、激光设备、流水线、安检系统及其他照明。



订购参数说明



OLC1-101 B P - RYG	
安装 1. 折叠式 2. 直立式	信号颜色 R. 红色 Y. 黄色 G. 绿色
色层数 1层	接线方式 P. DC 24V 共正 N. DC 24V 共负
额定电压 01. DC 24V	
类型 B. 常亮 F. 常亮带蜂鸣 R. 闪亮 Q. 闪亮带蜂鸣	

LED多功能警示灯 LED Multi-Functional Signal Light **OLA警示灯**

Technical Parameters技术参数			
Electronic Control Gear电子控制器	RGY (BW)	Life Time寿命	50000h
Luminaire of Protection防护等级	IP65	Beam Angle光束角	360°

Features:

- *Efficient LED multi signal lamps meets the various needs with good price;
- *High bright LED improving the visual performance of long distance;
- *With red/yellow/green color led improving the color recognition effect;
- *Easy installation and dismounting;
- *The lamp body is made of high quality aluminum,with good thermal and shock resistance,it looks more modern and it is collapsible;
- *The lampshade is made of transparent PC ,with good function of thermal and shock resistance.

Application:

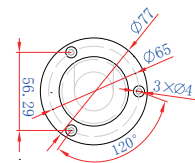
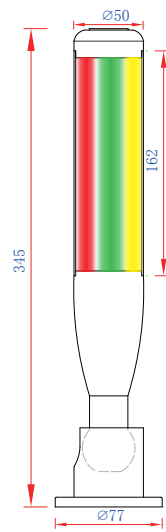
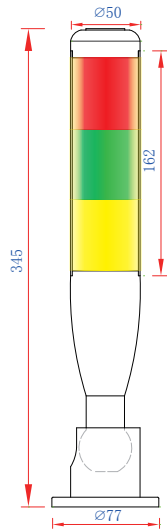
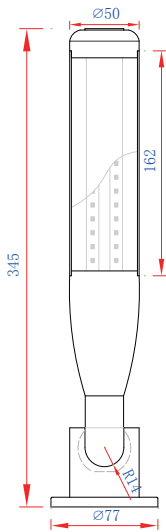
CNC machine tools,machine tool,machining center,security equipment,laser equipment,assembly line,security system and other lighting.

特点：

- *高效LED多功能信号灯，可满足各种需求，性价比高；
- *高亮LED光源，大大提高了远距离的可视性能；
- *利用红黄绿LED光源产生鲜明的色彩识别效果；
- *安装简便，方便拆卸；
- *灯体由高品质铝制成，耐热抗冲击，外观时尚，可折叠；
- *灯罩由耐热抗冲击透明的聚碳酸酯制成。

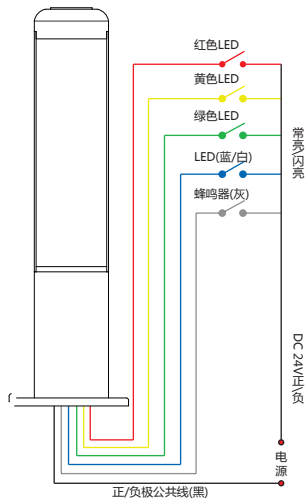
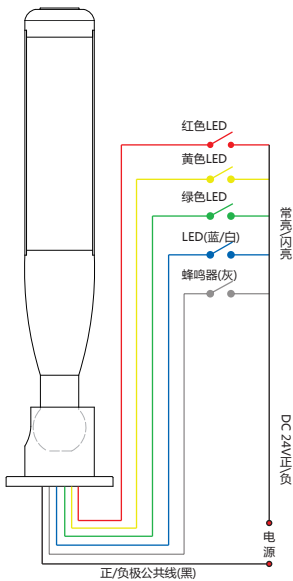
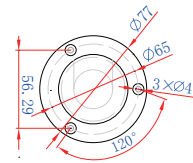
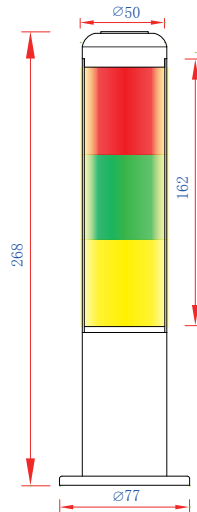
应用场所：

数控机床、组合机床、加工中心、安防设备、激光设备、流水线、安检系统及其他照明。



LED多功能警示灯 LED Multi-Functional Signal Light

OLA警示灯

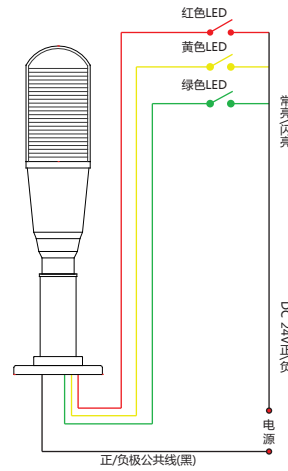
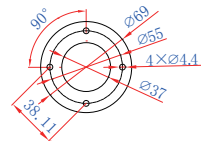
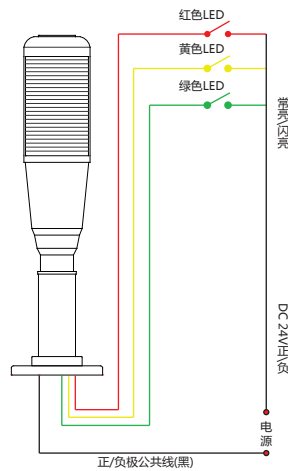
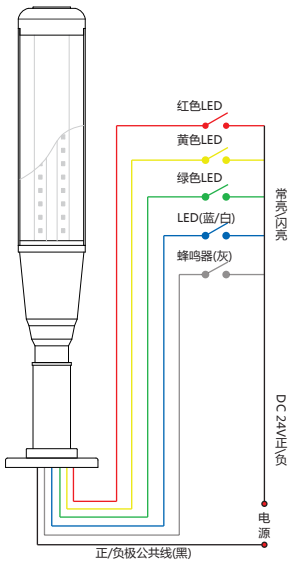
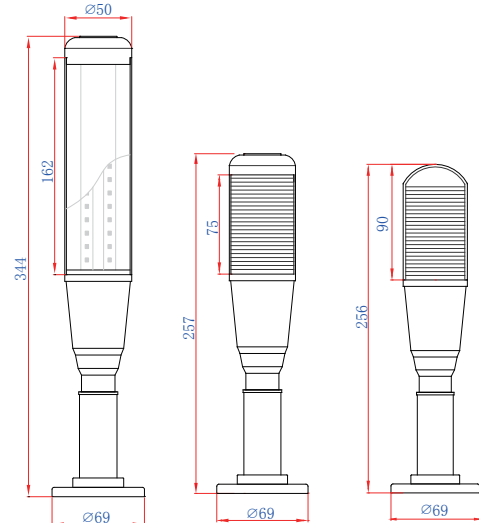


订购参数说明

OLA2-501 B P - RYGBW	
外形	信号颜色
A. 圆形	R. 红色
S. 方形	Y. 黄色
安装	G. 绿色
2. 折叠式	B. 蓝色
3. 单层三色式	W. 白色
4. 直立式	
色层数	接线方式
1~5层	P. DC 24V 共正
额定电压	N. DC 24V 共负
01. DC 24V	
类型	
B. 常亮	
F. 常亮带蜂鸣	
R. 闪亮	
Q. 闪亮带蜂鸣	



LED多功能警示灯 LED Multi-Functional Signal Light OBI警示灯



订购参数说明

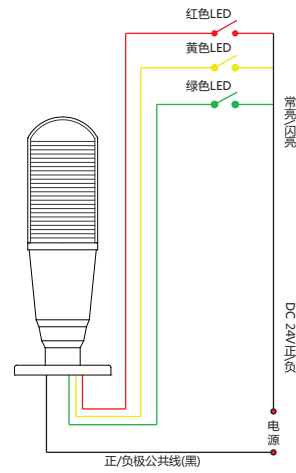
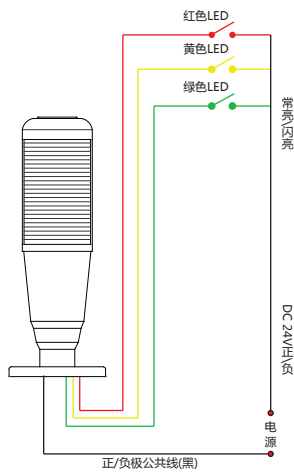
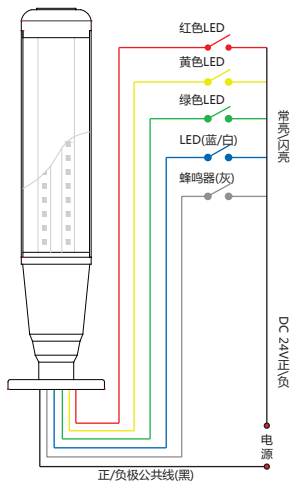
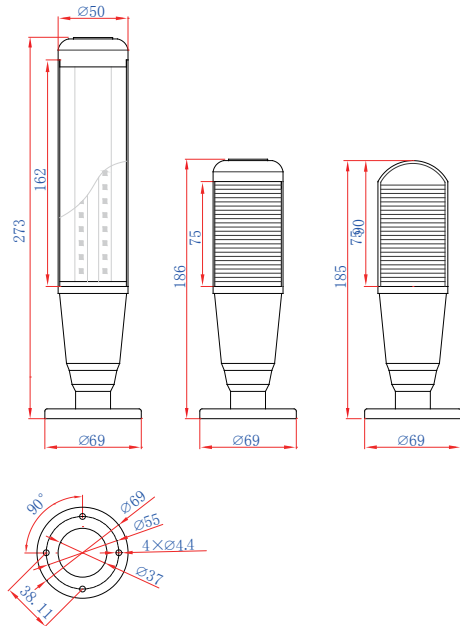


OBI1-101 B P -RYG

<p>安装</p> <ol style="list-style-type: none"> 1. 透明亚克力 2. 水晶通体 3. 水晶圆顶 <p>色层数</p> <ol style="list-style-type: none"> 1. 1~5层 <p>额定电压</p> <ol style="list-style-type: none"> 01. DC 24V <p>类型</p> <ol style="list-style-type: none"> B. 常亮 F. 常亮带蜂鸣 R. 闪亮 Q. 闪亮带蜂鸣 	<p>信号颜色</p> <ol style="list-style-type: none"> R. 红色 Y. 黄色 G. 绿色 <p>接线方式</p> <ol style="list-style-type: none"> P. DC 24V 共正 N. DC 24V 共负
---	--

LED多功能警示灯 LED Multi-Functional Signal Light

OBO警示灯



订购参数说明



OBO1-101 B P -RYG

安装
1. 透明亚克力
2. 水晶通体
3. 水晶圆顶

色层数
1~5层

额定电压
01. DC 24V

类型
B. 常亮
F. 常亮带蜂鸣
R. 闪亮
Q. 闪亮带蜂鸣

信号颜色

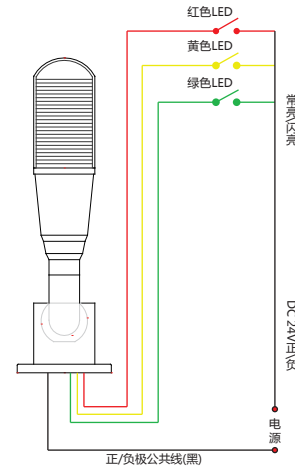
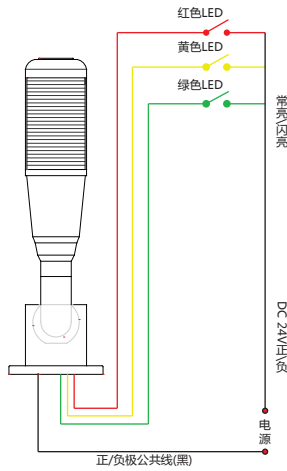
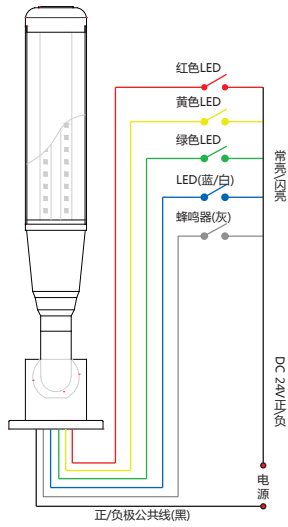
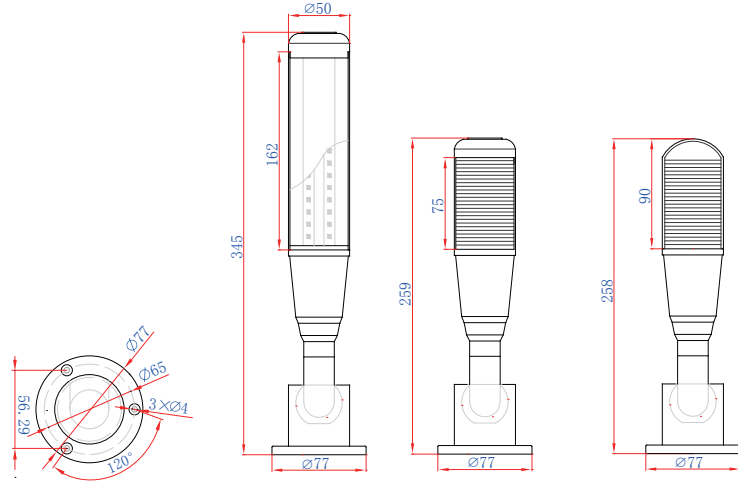
R. 红色
Y. 黄色
G. 绿色

接线方式

P. DC 24V 共正
N. DC 24V 共负



LED多功能警示灯 LED Multi-Functional Signal Light OBC警示灯

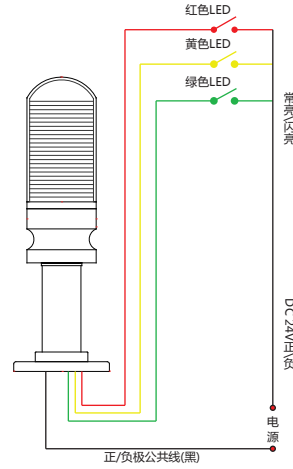
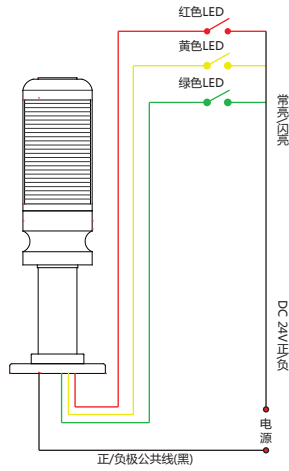
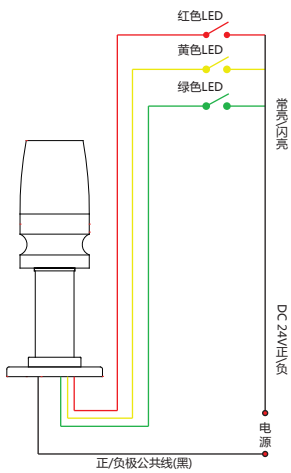
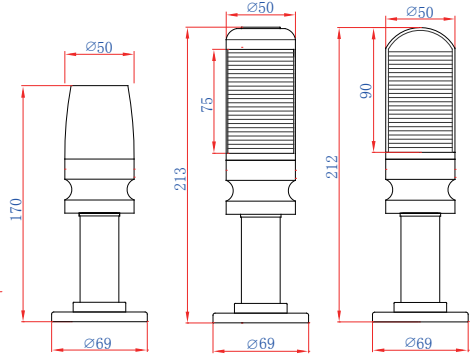
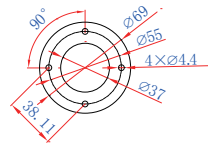


OBC1-501BP-RYGBW

<p>安装</p> <ol style="list-style-type: none"> 透明亚克力 水晶通体 水晶圆顶 <p>色层数 1~5层</p> <p>额定电压 01. DC 24V</p> <p>类型</p> <ul style="list-style-type: none"> B. 常亮 F. 常亮带蜂鸣 R. 闪亮 Q. 闪亮带蜂鸣 	<p>信号颜色</p> <ul style="list-style-type: none"> R. 红色 Y. 黄色 G. 绿色 B. 蓝色 W. 白色 <p>接线方式</p> <ul style="list-style-type: none"> P. DC 24V 共正 N. DC 24V 共负
---	--

LED多功能警示灯 LED Multi-Functional Signal Light

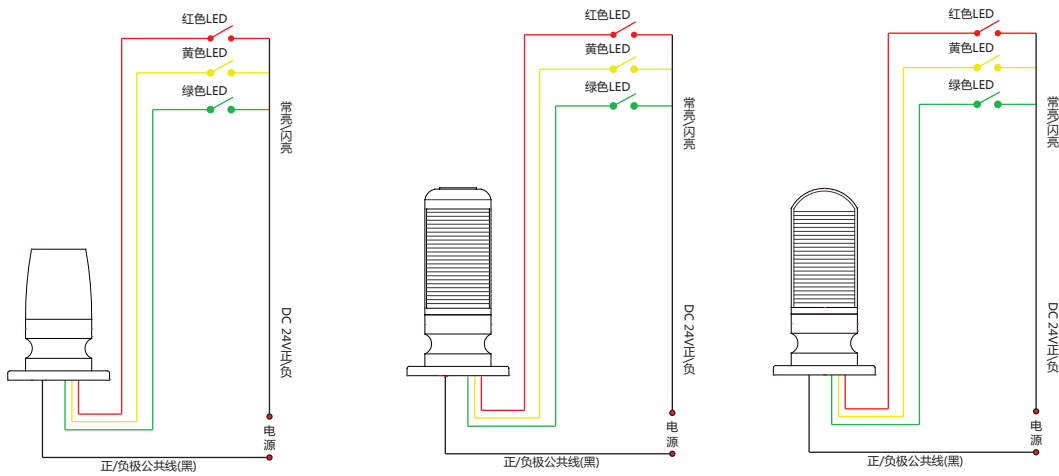
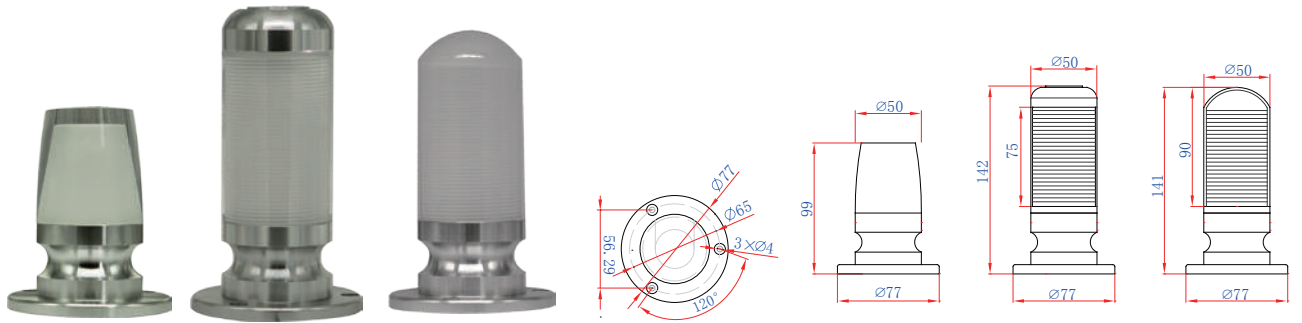
OHI警示灯



OHI1-101 B P -RYG

<p>安装</p> <ol style="list-style-type: none"> 1. 水晶平顶 2. 水晶通体 3. 水晶圆顶 <p>色层数</p> <p>1层</p> <p>额定电压</p> <p>01. DC 24V</p> <p>类型</p> <p>B. 常亮</p> <p>R. 闪亮</p>	<p>信号颜色</p> <p>R. 红色</p> <p>Y. 黄色</p> <p>G. 绿色</p> <p>接线方式</p> <p>P. DC 24V 共正</p> <p>N. DC 24V 共负</p>
--	--

LED多功能警示灯 LED Multi-Functional Signal Light OHO警示灯



OHO1-101 B P -RYG

<p>安装</p> <ol style="list-style-type: none"> 水晶平顶 水晶通体 水晶圆顶 	<p>信号颜色</p> <p>R. 红色 Y. 黄色 G. 绿色</p>
<p>色层数</p> <p>1层</p>	<p>接线方式</p> <p>P. DC 24V 共正 N. DC 24V 共负</p>
<p>额定电压</p> <p>01. DC 24V</p>	
<p>类型</p> <p>B. 常亮 R. 闪亮</p>	

LED多功能警示灯 LED Multi-Functional Signal Light

MSL警示灯

Technical Parameters 技术参数			
Electronic Control Gear 电子控制器	RGY (BW)	Life Time 寿命	50000h
Luminaire of Protection 防护等级	IP65	Beam Angle 光束角	360°

Features:

- *Efficient LED multi signal lamps meets the various needs with good price;
- *Mixed prism cutting lampshade, eliminate the visual blind spots may exist, greatly improving the visual performance of long distance;
- *Using the double mirror structure strong then propagation of LED light, color recognition effect is distinct with a minimum of LED;
- *Installation: installed directly or rod installation;
- *The LED module with free assembly, even after the installation of change module arrangement or add modules without rewiring;
- *The lamp body is made of Nylon66, with good thermal shock resistance;
- *The lampshade is made of PC with good heat shock.

Application:

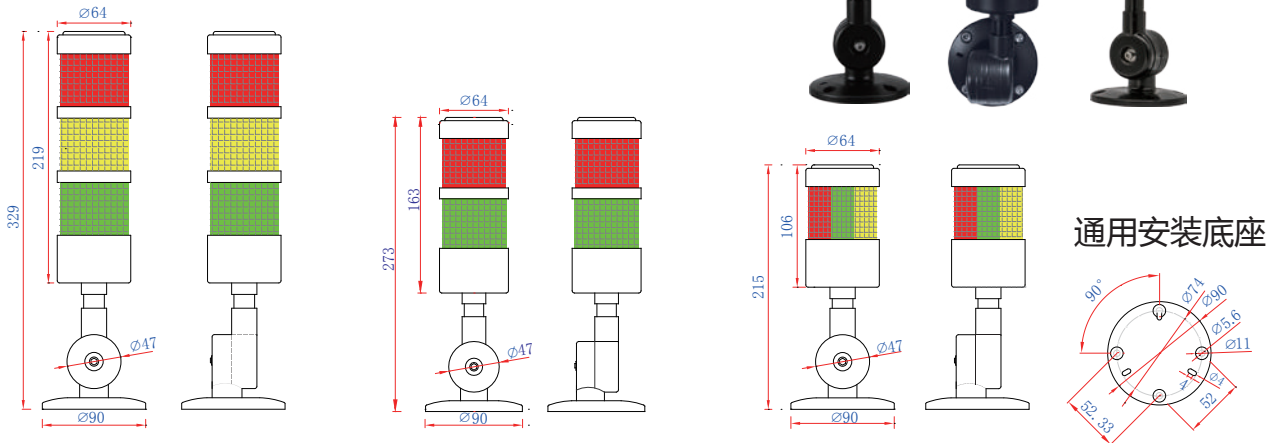
CNC machine tools, machine tool, machining center, security equipment, laser equipment, assembly line, security system and other lighting.

特点:

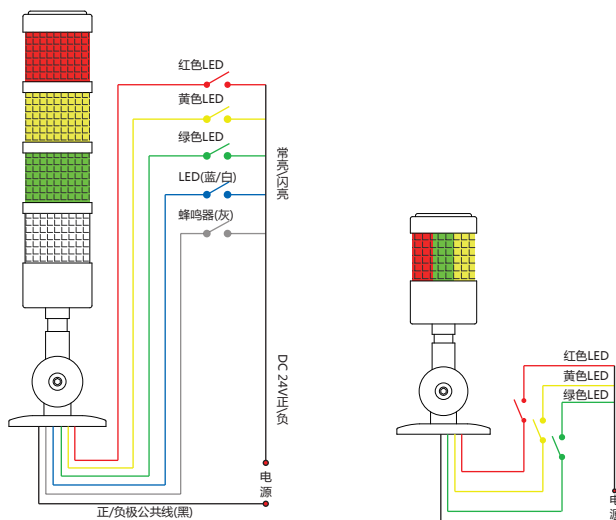
- *高效LED多功能信号灯, 可满足各种需求, 性价比高;
- *混合棱镜切割灯罩, 消除了可能存在的视觉盲点, 大大提高了远距离的可视性能;
- *利用双反射镜构造加强LED光的传播, 利用最少的LED产生鲜明的彩色识别效果;
- *安装: 直接安装或杆式安装;
- *可自由组装的LED模块, 即使安装后改变模块排列或增加模块也无需重新接线;
- *灯体由尼龙66制成, 耐热抗冲击;
- *灯罩由耐热抗冲击半透明的聚碳酸酯制成。

应用场所:

数控机床、组合机床、加工中心、安防设备、激光设备、流水线、安检系统及其他照明。



订购参数说明



MSL1-501 B P - RYGBW	
安装 1. 折叠式 2. 杆立式 3. 盘式 4. 单层三色式 层数 1~5层 额定电压 01. DC 24V	信号颜色 R. 红色 Y. 黄色 G. 绿色 B. 蓝色 W. 白色
类型 B. 常亮 F. 常亮带蜂鸣 R. 闪亮 Q. 闪亮带蜂鸣	接线方式 P. DC 24V 共正 N. DC 24V 共负

广州市欧登照明科技有限公司
Otennlux Lighting Technology Co.,LTD

 **Otennlux[®]**
Engineer LED Light



www.otennlux.com
Email:sales@otennlux.com

地址：广州市番禺区石壁街屏山一村中兴工业区兴达路4号3栋3楼
电话：+86 2084775896
传真：+86 2084775899